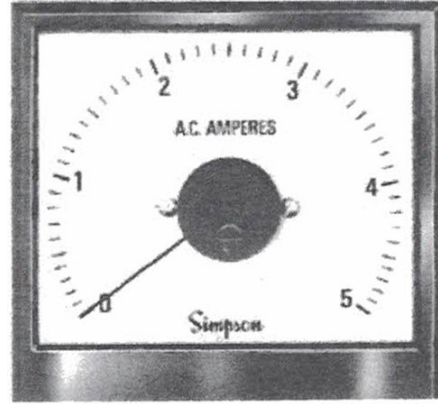


250° Long Scale Panel Meters



Round Style: 2523, 2524, 2543, 2544



Century Style: 2123L, 2143L

- Excellent readability -- more than double the scale length of standard movements
- Sealed round metal or square plastic cases with glass windows
- Zero adjust from front panel

Ordering Information

Percent Motor Load Meters Self-Shielding Movement				
Range	Approx. Impedance (Ohms) @ 60 Hz	Model / Size and Catalog Number		
		3 - 1/2" Model 2543	3 - 1/2" Model 2143L	4 - 1/2" Model 2544
0 - 5 ACA	0.5VA Maximum *	< >	17918	< >
Motor Load Current **		< >	17919	< >
* Internal transformer burden				
** Dial reads 0-150% Motor Load Current				
< > Available on special order				

AC Voltmeters Rectifier Type Self-Shielding Movement				
Range	Approx. Impedance (Ohms) @ 60 Hz	Model / Size and Catalog Number		
		3 - 1/2" Model 2543	3 - 1/2" Model 2143L	4 - 1/2" Model 2544
0-10	2000Ω/V	17990	< >	17995
0-30		< >	17915	< >
0-150		17978	17916	17988
0-300		17979	17917	17989
< > Available on special order				

Ordering Information

DC Millivoltmeters Self-Shielding Movement				
Range	Approx. Impedance (Ohms) @ 60 Hz	Model / Size and Catalog Number		
		3 - 1/2" Model 2523	3 - 1/2" Model 2123L	4 - 1/2" Model 2524
0-50	10	17977	17914	17987

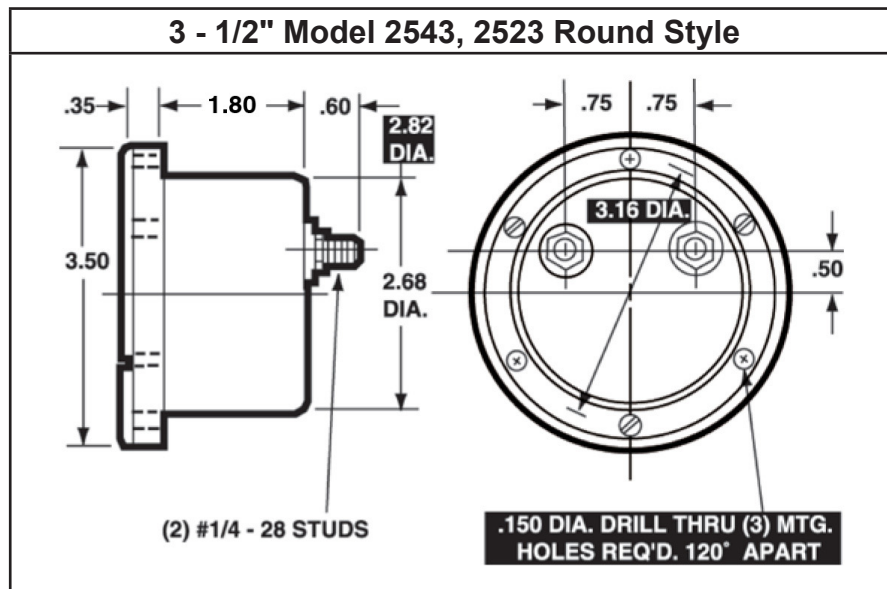
DC Microammeters Self-Shielding Movement				
Range	Approx. Impedance (Ohms)	Model / Size and Catalog Number		
		3 - 1/2" Model 2523	3 - 1/2" Model 2123L	4 - 1/2" Model 2524
0-50	8000	17970	17910	17980
0-100	4200	17971	17911	17981
0-500	340	17972	17912	17982

DC Milliammeters Self-Shielding Movement				
Range	Approx. Impedance (Ohms)	Model / Size and Catalog Number		
		3 - 1/2" Model 2523	3 - 1/2" Model 2123L	4 - 1/2" Model 2524
0-1	135.0	17973	17913	17983
0-10	10.0	17974	< >	17984
0-500	0.2	17975	< >	17985
1-0-1	50.0	17996	< >	17997
< > Available on special order				

DC Ammeters Self-Shielding Movement				
Range	Approx. Impedance (Ohms)	Model / Size and Catalog Number		
		3 - 1/2" Model 2523	3 - 1/2" Model 2123L	4 - 1/2" Model 2524
0-10	.005	35098	< >	35099
< > Available on special order				
Meters are supplied as 50 millivolt and requires an external shunt #06704				

Specifications	
Accuracy	AC $\pm 3\%$ full scale (F.S.) DC $\pm 2\%$ full scale (F.S.)
Movement	AC: Rectifier type DC: Self-shielded, permanent magnet
Suspension	Pivot and jewel
Tracking	$\pm 3\%$
Shielding	Calibration is unaffected by magnetic panel mounting
Response Time	1.5 seconds maximum
Overload (1 sec.)	10 times F.S.
Overload (Continuous)	1.5 times F.S.
Repeatability	2%
Dial	Sharp clear scale. Each dial arc is calibrated to track the specific type of movement used
Case	Models 2523, 2524, 2543 & 2544: Metal Models 2123L, 2143L: Black plastic
Resistance	$\pm 15\%$ of meter impedance
Operating Temperature	-4°F to +149°F (-20°C to +65°C)
Pointer	Red, knife-edge
Scale Length	Models 2123L, 2523, 2543 & 2143L: 4.77" (121.16mm) Models 2524, 2544: 6.54" (166.0mm)

Dimensions



Dimensions

