

# AS1 SERIES COMPACT CASE

## AC Current Sensing Switches

The AS1 Series Compact Case Current Sensing Switches are compact and inexpensive. The easy-to-use ring slips onto the conductor to give a solid-state contact for indication of current flow. Ideal for use in control panels, or wherever confirmation of current flow is desired. AS1 Series-CC current sensing switches are a cost-effective way to detect live conductors and see current flow to fans, heaters, pumps, lighting or other AC powered devices.



### Current Sensing Switch Applications

- Quick reporting of electric motor load status.
- Identify open heater circuit connection.
- Independent verification that the load is energized.
- Confirmation of operation for critical lighting or equipment.
- Low off state leakage is perfect for use as an input to a programmable logic controller.

### Current Sensing Switch Features

#### Low Sensitivity Turn-on Point

- Detect currents as low as 0.5 A with a single conductor pass; eliminates the need to wrap conductors multiple times to increase sensitivity.

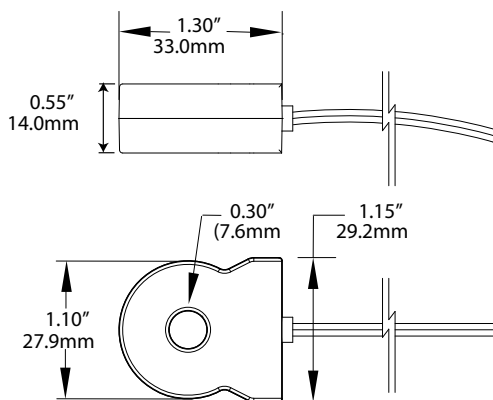
#### Reliable Solid-state Output

- No moving parts provides a nearly unlimited number of operations; powered from the monitored circuit.

#### Choice of Outputs

- Normally Open or Normally Closed connection. Connect the 24" long leads to a local controller or to a terminal block for remote operation.

### Current Sensing Switch Dimensions



- For additional Application Examples, go to [www.nktechnologies.com/applications](http://www.nktechnologies.com/applications)

### Current Sensing Switch Specifications



|                           |   |
|---------------------------|---|
| <b>Power Supply</b>       | None, self-powered  |
| <b>Setpoint Range</b>     | 0.5 A (factory set)   |
| <b>Output Description</b> | Isolated solid-state relay                                  |
| <b>Output Rating</b>      | • 0.2 A @ 120 VAC/DC (N.O.)<br>• 0.15 A @ 135 VAC/DC (N.C.) |
| <b>Off-state Leakage</b>  | <10 $\mu$ A   |
| <b>Response Time</b>      | 120 ms  |
| <b>Time Delay</b>         | None  |
| <b>Hysteresis</b>         | 5%  |
| <b>Overload</b>           | 6 sec. @ 500 A, 1 sec. @ 1000 A                             |
| <b>Isolation Voltage</b>  | UL listed to 1270 VAC, tested to 5 KV                       |
| <b>Frequency Range</b>    | 50–400 Hz   |
| <b>Case</b>               | UL94 V-0 Flammability Rated                                 |
| <b>Environmental</b>      | -4 to 122°F (-20 to 50°C)<br>0–95% RH, non-condensing       |
| <b>Listings</b>           | UL /cUL, CE   |

### Current Sensing Switch Ordering Information

Sample Model Number: AS1-NOU-CC

Adjustable AC current sensing switch, normally open, solid-core, compact case.

AS1 – (1) (2) – C C

#### (1) Output Rating

|     |                 |
|-----|-----------------|
| NOU | Normally Open   |
| NCU | Normally Closed |

#### (2) Case Style

|    |              |
|----|--------------|
| CC | Compact case |
|----|--------------|

