

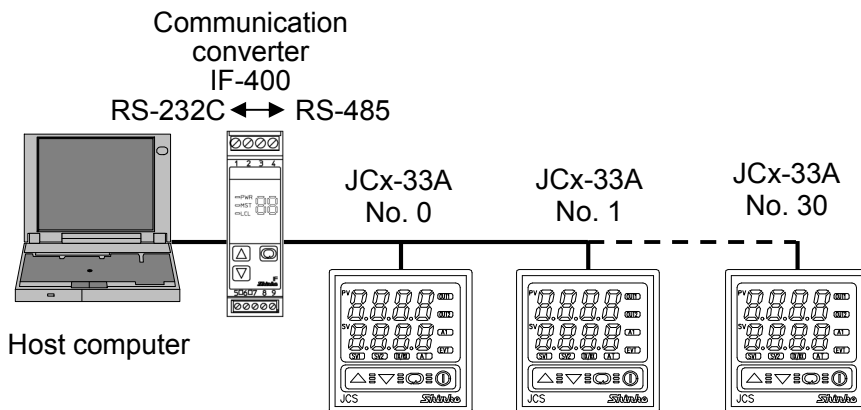
This manual contains instructions for the communication functions, operations and notes when operating the JCS, JCM, JCR and JCD-33A series.

To prevent accidents arising from the misuse of this controller, please ensure the operator receives this manual.

**Warning**

Turn the power supply to the instrument off before wiring or checking it.  
Working on or touching the terminal with the power switched on may result in severe injury or death due to electric shock.

## 1. System Configuration

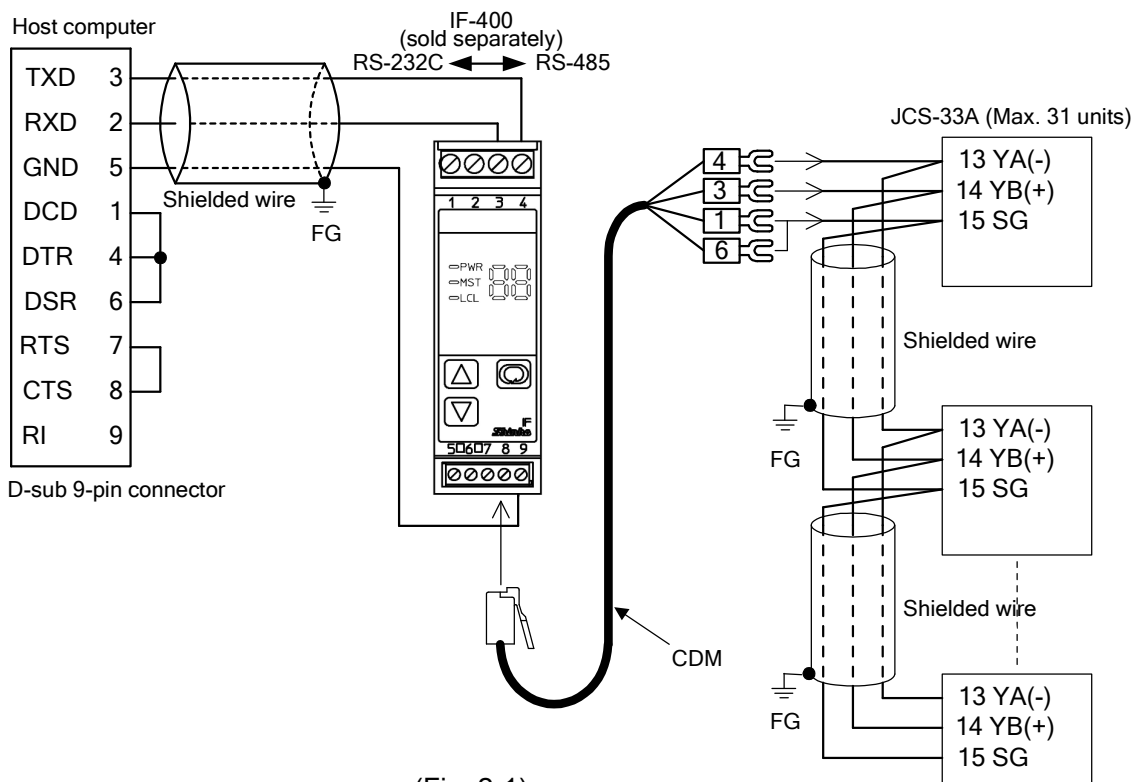


(Fig. 1-1)

## 2. Wiring

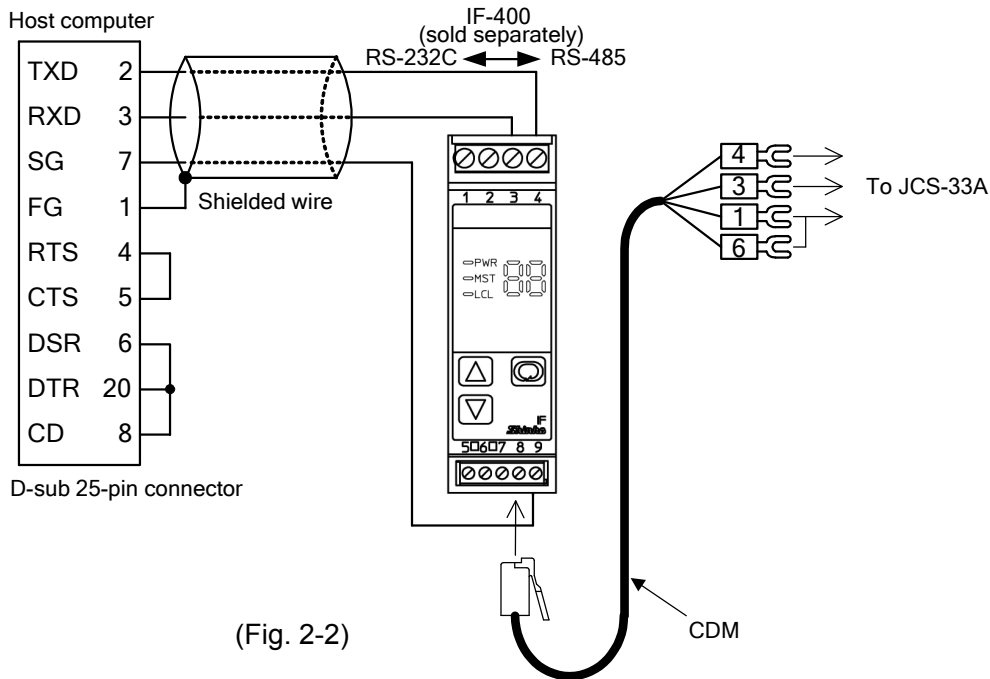
When using communication converter IF-400

- D-sub 9-pin connector:



(Fig. 2-1)

• **D-sub 25-pin connector:**



(Fig. 2-2)

**Shielded wire**

Connect only one end of the shielded wire to the FG terminal so that current cannot flow to the shielded wire. (If both ends of the shielded wire are connected to the FG terminal, the circuit will be closed between the shielded wire and the ground. As a result, current will run through the shielded wire, and this may cause noise.) Be sure to ground the FG terminal.

Recommended cable: OTSC-VB 2PX0.5SQ (made by Onamba Co., Ltd.) or equivalent  
(Use a twisted pair cable.)

**Terminator (Terminal resistor)**

Communication converter IF-400 (sold separately) has a built-in terminator.

The terminator is mounted at the end of the wire when connecting a personal computer with multiple peripheral devices. The terminator prevents signal reflection and disturbance.

Do not connect the terminator to the communication line because each JCS-33A has built-in pull-up and pull-down resistors instead of a terminator.

### 3. Communication Settings

Press the key for approx. 3 seconds while holding down the key.

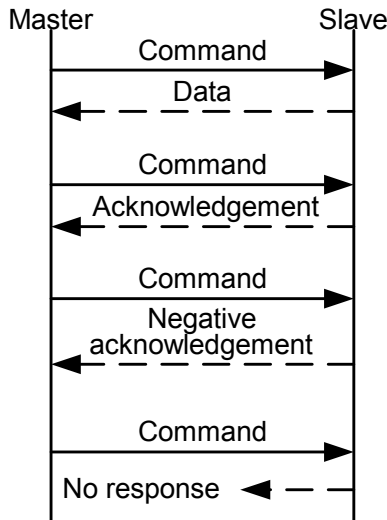
The unit enters Auxiliary function setting mode 1.

Make a selection using the or key, and register the value by pressing the key.

Character	Name, Function, Setting range	Default
Lock ----	<b>Auxiliary function setting mode 1 (Set value lock selection)</b> Press the  key 4 times. Communication protocol selection item appears.	
cnL nonL	<b>Communication protocol</b> • Selects communication protocol. • nonL: Shinko protocol, noddA: Modbus ASCII mode, noddR: Modbus RTU mode	Shinko protocol
cnno 000	<b>Instrument number</b> • The instrument numbers should be set one by one when multiple instruments are connected in Serial communication, otherwise communication is impossible. • Setting range: 0 to 95	0
cn4P 096	<b>Communication speed</b> • Selects a communication speed equal to that of the host computer. • 024: 2400bps, 048: 4800bps, 096: 9600bps, 192: 19200bps	9600bps
cnPr EVEN	<b>Parity</b> • Selects parity. • Not available if Shinko protocol is selected in [Communication protocol]. • nonE: No parity, EVEN: Even, odd: Odd	Even
cn4f 001	<b>Stop bit</b> • Selects the stop bit. • Not available if Shinko protocol is selected in [Communication protocol]. • 1 or 2	1

# 4. Communication Procedure

Communication starts with command transmission from the host computer (hereafter Master) and ends with the response of the JCx-33A (hereafter Slave).



(Fig.4-1)

### • Response with data

When the master sends the reading command, the slave responds with the corresponding set value or current status.

### • Acknowledgement

When the master sends the setting command, the slave responds by sending acknowledgement after processing is terminated.

### • Negative acknowledgement

When the master sends a non-existent command or value out of the setting range, the slave returns a negative acknowledgement.

### • No response

The slave will not respond to the master in the following cases:

- Global address (Shinko protocol) is set.
- Broadcast address (Modbus protocol) is set.
- Communication error (framing error, parity error)
- Checksum error (Shinko protocol), LRC discrepancy (Modbus ASCII mode), CRC-16 discrepancy (Modbus RTU mode)

## Communication timing of the RS-485 (C5 option)

### Master side (Take note while programming)

Set the program so that the master can disconnect the transmitter from the communication line within a 1 character transmission period after sending the command in preparation for reception of the response from the slave. To avoid the collision of transmissions between the master and the slave, send the next command after carefully checking that the master has received the response.

If a response to the command is not returned due to communication errors, set the Retry Processing to send the command again. (Retry twice or more is recommended.)

### Slave side

When the slave starts transmission through the RS-485 communication line, the slave is arranged so as to provide an idle status (mark status) transmission period of 1 or more characters before sending the response to ensure synchronization on the receiving side. The slave is arranged so as to disconnect the transmitter from the communication line within a 1 character transmission period after sending the response.

# 5. Shinko Protocol

## 5.1 Transmission mode

Shinko protocol is composed of ASCII codes.

Hexadecimal (0 to 9, A to F), which is divided into high order (4-bit) and low order (4-bit) out of 8-bit binary data in command is transmitted as ASCII characters.

Data format      Start bit: 1 bit  
                          Data bit: 7 bits  
                          Parity: Even  
                          Stop bit: 1 bit

Error detection: Checksum

## 5.2 Command configuration

All commands are composed of ASCII. The data (set value, decimal number) is represented by hexadecimal numbers. Negative numbers are represented in 2's complement.

Numerals written below the command represent number of characters.

### (1) Setting command

Header (02H)	Address	Sub address (20H)	Command type (50H)	Data item	Data	Checksum	Delimiter (03H)
1	1	1	1	4	4	2	1

### (2) Reading command

Header (02H)	Address	Sub address (20H)	Command type (20H)	Data item	Checksum	Delimiter (03H)
1	1	1	1	4	2	1

### (3) Response with data

Header (06H)	Address	Sub address (20H)	Command type (20H)	Data item	Data	Checksum	Delimiter (03H)
1	1	1	1	4	4	2	1

### (4) Acknowledgement

Header (06H)	Address	Checksum	Delimiter (03H)
1	1	2	1

### (5) Negative acknowledgement

Header (15H)	Address	Error code	Checksum	Delimiter (03H)
1	1	1	2	1

**Header:** Control code to represent the beginning of the command or the response. ASCII codes are used.  
 Setting command, Reading command: STX (02H) fixed  
 Response with data, Acknowledgement: ACK (06H) fixed  
 Negative acknowledgement: NAK (15H) fixed

**Address (Instrument number):** Numbers by which the master discerns each slave. Instrument number 0 to 94 and Global address 95. ASCII codes (20H to 7FH) are used by adding 20H to instrument numbers 0 to 95 (00H to 5FH). 95 (7FH) is called the Global address, which is used when the same command is sent to all the slaves connected. However, a response is not returned.

**Sub address:** 20H fixed

**Command type:** Code to discern Setting command (50H) and Reading command (20H).

**Data item:** Data classification of the command object. Composed of hexadecimal 4 digits, using ASCII. (Refer to "7. Communication command table".)

**Data:** The contents of data (set value) differs depending on the setting command. Composed of hexadecimal 4 digits, using ASCII. (Refer to "7. Communication command table".)

**Checksum:** 2-character data to detect communication errors. (Refer to "5.3 Checksum calculation".)

**Delimiter:** Control code to represent the end of command. ASCII code ETX (03H) fixed.

**Error code:** Represents an error type with ASCII codes.  
 1 (31H)----Non-existent command  
 2 (32H)----Not used  
 3 (33H)----Set value outside the setting range  
 4 (34H)----Status unable to be set (e.g. AT is performing.)  
 5 (35H)----During setting mode by keypad operation

### 5.3 Checksum calculation

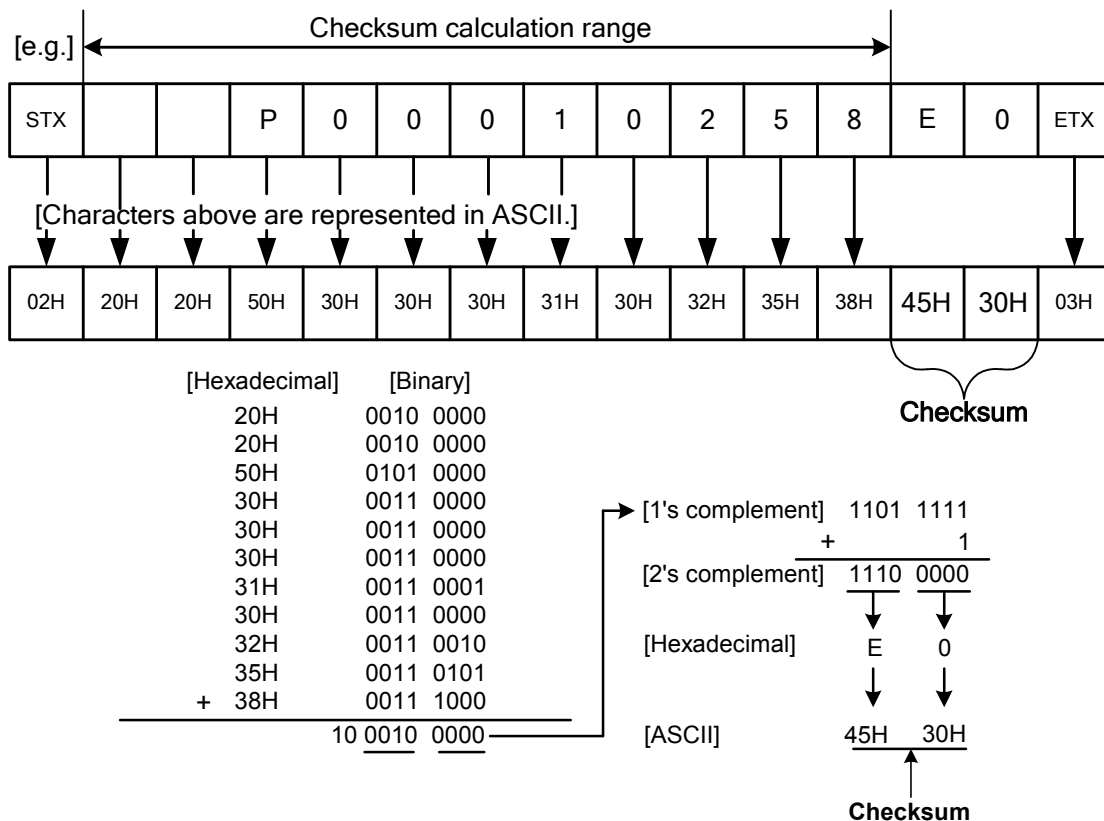
Checksum is used to detect receiving errors in the command or data. Set the program for the master side as well to calculate the checksum of the response data from the slaves so that any communication errors can be checked. The ASCII code (hexadecimal) corresponding to the characters which range from the address to that before the checksum is converted to binary notation, and the total value is calculated. The lower 2-digits of the total value are converted to 2's complement, and then to hexadecimal figures, that is, ASCII code for the checksum.

#### Checksum calculation example

SV1: 600°C (0258H)

Address (instrument number): 0 (20H)

- 1's complement: Reverse each binary bit. 0 will become 1 and vice versa.
- 2's complement: Add 1 to 1's complement.



# 6. Modbus Protocol

## 6.1 Transmission mode

There are 2 transmission modes (ASCII and RTU) in Modbus protocol.

## 6.2 ASCII mode

Hexadecimal (0 to 9, A to F), which is divided into high order (4-bit) and low order (4-bit) out of 8-bit binary data in command is transmitted as ASCII characters.

Data format      Start bit: 1 bit  
                          Data bit: 7 bits  
                          Parity: Even/Odd/No parity (Selectable)  
                          Stop bit: 1 bit/2 bits (Selectable)

Error detection : LRC (Longitudinal Redundancy Check)

Data interval: 1 second or less

### (1) Message configuration

ASCII mode message is configured to start by Header [: (colon)(3AH)] and end by Delimiter [CR (carriage return) (0DH) + LF (Line feed)(0AH)].

Header (:)	Slave address	Function code	Data	Error check LRC	Delimiter (CR)	Delimiter (LF)
---------------	------------------	------------------	------	--------------------	-------------------	-------------------

### (2) Slave address

Slave address is an individual instrument number on the slave side, and is set within the range 0 to 95 (00H to 5FH).

The master identifies slaves by the slave address of the requested message.

The slave informs the master which slave is responding to the master by placing its own address in the response message.

[Slave address 0 (00H, broadcast address) can identify all the slaves. However slaves do not respond.]

### (3) Function code

The function code is the command code for the slave to undertake one of the following actions (Table 6.2-1).

(Table 6.2-1)

Function code	Contents
03 (03H)	Reading the set value and information from slaves
06 (06H)	Setting to slaves

The function code is used to discern whether the response is normal (acknowledgement) or if any error (negative acknowledgement) has occurred when the slave returns the response message to the master.

When acknowledgement is returned, the slave simply returns the original function code.

When negative acknowledgement is returned, the MSB of the original function code is set as 1 for the response. (For example, when the master sends request message setting 10H for the function code by mistake, slave returns 90H by setting the MSB to 1, because the former is an illegal function.)

For negative acknowledgement, the exception codes (Table 6.2-2) below are set to the data of the response message and returned to the master in order to inform it of what kind of error has occurred.

(Table 6.2-2)

Exception code	Contents
1 (01H)	Illegal function (Non-existent function)
2 (02H)	Illegal data address (Non-existent data address)
3 (03H)	Illegal data value (Value out of the setting range)
17 (11H)	Shinko error code 4 (Status unable to be set)
18 (12H)	Shinko error code 5 (During setting mode by keypad, etc)

### (4) Data

Data differs depending on the function code.

A request message from the master is composed of a data item, amount of data and setting data.

A response message from the slave is composed of a number of bytes, data and exception codes in negative acknowledgements. The effective range of data is -32768 to 32767 (8000H to 7FFFH).

### (5) Error check of ASCII mode

After calculating LRC (Longitudinal Redundancy Check) from the slave address to the end of data, the calculated 8-bit data is converted to two ASCII characters and are appended to the end of the message.

#### How to calculate LRC

- ① Create a message in RTU mode.
- ② Add all the values from the slave address to the end of data. This is assumed as X.
- ③ Make a complement for X (bit reverse). This is assumed as X.
- ④ Add a value of 1 to X. This is assumed as X.
- ⑤ Set X as an LRC to the end of the message.
- ⑥ Convert the whole message to ASCII characters.

## (6) Message example of ASCII mode

Numerals written below the command represent the number of characters.

### ① Reading (Slave address 1, SV)

- A request message from the master

Amount of data means how many data items are to be read. It is fixed as (30H 30H 30H 31H).

Header (3AH)	Slave address (30H 31H)	Function code (30H 33H)	Data item [0001H] (30H 30H 30H 31H)	Amount of data [0001H] (30H 30H 30H 31H)	Error check LRC (46H 41H)	Delimiter (0DH 0AH)
1	2	2	4	4	2	2

- Response message from the slave in normal status [When SV=600°C (0258H)]  
The number of response bytes means the number of bytes of data which has been read.  
It is fixed as (30H 32H).

Header (3AH)	Slave address (30H 31H)	Function code (30H 33H)	Number of response bytes [02H] (30H 32H)	Data [0258H] (30H 32H 35H 38H)	Error check LRC (41H 30H)	Delimiter (0DH 0AH)
1	2	2	2	4	2	2

- Response message from the slave in exception (error) status (When a data item has been mistaken)  
The function code MSB is set to 1 for the response message in exception (error) status (83H).  
The exception code (02H: Non-existent data address) is returned.

Header (3AH)	Slave address (30H 31H)	Function code (38H 33H)	Exception code [02H] (30H 32H)	Error check LRC (37H 41H)	Delimiter (0DH 0AH)
1	2	2	2	2	2

### ② Setting [Slave address 1, SV=600°C (0258H)]

- A request message from the master

Header (3AH)	Slave address (30H 31H)	Function code (30H 36H)	Data item [0001H] (30H 30H 30H 31H)	Data [0258H] (30H 32H 35H 38H)	Error check LRC (39H 45H)	Delimiter (0DH 0AH)
1	2	2	4	4	2	2

- Response message from the slave in normal status

Header (3AH)	Slave address (30H 31H)	Function code (30H 36H)	Data item [0001H] (30H 30H 30H 31H)	Data [0258H] (30H 32H 35H 38H)	Error check LRC (39H 45H)	Delimiter (0DH 0AH)
1	2	2	4	4	2	2

- Response message from the slave in exception (error) status (When a value out of the setting range is set.)  
The function code MSB is set to 1 for the response message in exception (error) status (86H).  
The exception code (03H: Value out of the setting range) is returned.

Header (3AH)	Slave address (30H 31H)	Function code (38H 36H)	Exception code [03H] (30H 33H)	Error check LRC (37H 36H)	Delimiter (0DH 0AH)
1	2	2	2	2	2

## 6.3 RTU mode

8-bit binary data in command is transmitted as it is.

Data format Start bit: 1 bit  
Data bit: 8 bits  
Parity: Even/Odd/No parity (Selectable)  
Stop bit: 1 bit/2 bits (Selectable)

Error detection: CRC-16 (Cyclic Redundancy Check)

Data interval: 3.5 characters transmission time or less

### (1) Message configuration

RTU mode is configured to start after idle time is processed for more than a 3.5 character transmissions and end after idle time is processed for more than a 3.5 character transmissions.

3.5 idle characters	Slave address	Function code	Data	Error check CRC-16	3.5 idle characters
------------------------	------------------	------------------	------	-----------------------	------------------------

### (2) Slave address

Slave address is an individual instrument number on the slave side and is set within the range 0 to 95 (00H to 5FH).

The master identifies slaves by the slave address of the requested message.

The slave informs the master which slave is responding to the master by placing its own address in the response message. Slave address 00H (broadcast address) can identify all the slaves connected. However slaves do not respond.

### (3) Function code

The function code is the command code for the slave to undertake one of the following actions (Table 6.3-1).

(Table 6.3-1)

Function code	Contents
03 (03H)	Reading the set value and information from slaves
06 (06H)	Setting to slaves

Function code is used to discern whether the response is normal (acknowledgement) or if any error (negative acknowledgement) has occurred when the slave returns the response message to the master. When acknowledgement is returned, the slave simply returns the original function code.

When negative acknowledgement is returned, the MSB of the original function code is set as 1 for the response. (For example, when the master sends request message setting 10H for the function code by mistake, slave returns 90H by setting the MSB to 1, because the former is an illegal function.)

For negative acknowledgement, the exception codes (Table 6.3-2) below are set to the data of response message and returned to the master in order to inform it of what kind of error has occurred.

(Table 6.3-2)

Exception code	Contents
1 (01H)	Illegal function (Non-existent function)
2 (02H)	Illegal data address (Non-existent data address)
3 (03H)	Illegal data value (Value out of the setting range)
17 (11H)	Shinko error code 4 (Status unable to be set)
18 (12H)	Shinko error code 5 (During setting mode by keypad, etc)

### (4) Data

Data differs depending on the function code.

A request message from the master side is composed of a data item, amount of data and setting data.

A response message from the slave side is composed of a number of bytes, data and exception code in negative acknowledgement. The effective range of data is -32768 to 32767 (8000H to 7FFFH).

### (5) Error check of RTU mode

After calculating CRC-16 (Cyclic Redundancy Check) from the slave address to the end of the data, the calculated 16-bit data is appended to the end of the message in sequence from low order to high order.

#### How to calculate CRC-16

In the CRC-16 system, the information is divided by the polynomial series. The remainder is added to the end of the information and transmitted. The generation of a polynomial series is as follows.

(Generation of polynomial series:  $X^{16} + X^{15} + X^2 + 1$ )

- ① Initialize the CRC-16 data (assumed as X) (FFFFH).
- ② Calculate exclusive OR (XOR) with the 1st data and X. This is assumed as X.
- ③ Shift X one bit to the right. This is assumed as X.
- ④ When a carry is generated as a result of the shift, XOR is calculated by X of ③ and the fixed value (A001H). This is assumed as X.  
If a carry is not generated, go to step ⑤.
- ⑤ Repeat steps ③ and ④ until shifting 8 times.
- ⑥ XOR is calculated with the next data and X. This is assumed as X.
- ⑦ Repeat steps ③ to ⑤.
- ⑧ Repeat steps ③ to ⑤ up to the final data.
- ⑨ Set X as CRC-16 to the end of message in sequence from low order to high order.

### (6) Message example of RTU mode

Numerals written below the command represent number of characters.

#### ① Reading (Slave address 1, SV)

- A request message from the master

Amount of data means how many data items are to be read. It is fixed as 0001H.

3.5 idle characters	Slave address (01H)	Function code (03H)	Data item (0001H)	Amount of data (0001H)	Error check CRC-16 (D5CAH)	3.5 idle characters
	1	1	2	2	2	

- Response message from the slave in normal status [When SV=600°C (0258H)]

The number of response bytes means the number of bytes of data which have been read. It is fixed as 02H.

3.5 idle characters	Slave address (01H)	Function code (03H)	Number of response bytes (02H)	Data (0258H)	Error check CRC-16 (B8DEH)	3.5 idle characters
	1	1	1	2	2	

- Response message from the slave in exception (error) status (When a data item is mistaken)  
The function code MSB is set to 1 for the response message in exception (error) status (83H).  
The exception code (02H: Non-existent data address) is returned.

3.5 idle characters	Slave address (01H)	Function code (83H)	Exception code (02H)	Error check CRC-16 (C0F1H)	3.5 idle characters
	1	1	1	2	

## ② Setting [Slave address 1, SV=600°C (0258H)]

- A request message from the master

3.5 idle characters	Slave address (01H)	Function code (06H)	Data item (0001H)	Data (0258H)	Error check CRC-16 (D890H)	3.5 idle characters
	1	1	2	2	2	

- Response message from the slave in normal status

3.5 idle characters	Slave address (01H)	Function code (06H)	Data item (0001H)	Data (0258H)	Error check CRC-16 (D890H)	3.5 idle characters
	1	1	2	2	2	

- Response message from the slave in exception (error) status (When a value out of the setting range is set)  
The function code MSB is set to 1 for the response message in exception (error) status (86H).  
The exception code (03H: Value out of the setting range) is returned.

3.5 idle characters	Slave address (01H)	Function code (86H)	Exception code (03H)	Error check CRC-16 (0261H)	3.5 idle characters
	1	1	1	2	

## 7. Communication Command Table

### Notes about setting, reading command

- The data (set value, decimal) is converted to hexadecimal figures. A negative number is represented by 2's complement.
- When connecting multiple slaves, the address (instrument number) must not be duplicated.
- Do not use undefined Data items. If they are used, negative acknowledgement will be returned or a random value will be set or returned, resulting in malfunction.
- Modbus protocol uses Holding Register addresses. The Holding Register addresses are created as follows. A Shinko command data item is converted to decimal number, and the offset of 40001 is added. The result is the Holding Register address.  
Using Data item 0001H (SV1) as an example: Data item in the sending message is 0001H, however, Modbus protocol Holding Register address is 40002 (1 + 40001).

### Setting command

- Up to 1,000,000 (one million) entries can be stored in memory. If the number of settings exceeds the limit, the data will not be saved. So frequent transmission via communication is not recommended. (If a value the same as a previously set value is set, it will not be written in the non-volatile IC memory.)
- Setting range of each item is the same as that of keypad operation.
- When the data (set value) has a decimal point, a whole number (hexadecimal) without a decimal point is used.
- If the alarm type is changed during selections of Data items 0023H (A1 type) or 0024H (A2 type), the alarm value will default to "0". Alarm output status will also be initialized.
- Settings via software communication are possible while in set value lock status. If Lock 3 is selected, data will not be saved in the memory. This is why data returns to its previous value after power-off.
- Although the options are not ordered, setting the items for options is possible using the setting command. However, they will not function.
- The Instrument Numbers and Communication Speed of the slave cannot be set by software communication.
- When sending a command by Global address [95 (7FH)], the same command is sent to all the slaves connected. However, the response is not returned.

### Reading command

- When the data (set value) has a decimal point, a whole number (hexadecimal) without a decimal point is used for a response.



Shinko command type	Modbus function code	Data item	Data
20H/50H	03H/06H	0001H: SV1	SV
20H/50H	03H/06H	0003H: AT/Auto-reset	0000H: Cancel 0001H: Perform
20H/50H	03H/06H	0004H: OUT1 proportional band	Set value
20H/50H	03H/06H	0005H: OUT2 proportional band	Set value
20H/50H	03H/06H	0006H: Integral time	Set value
20H/50H	03H/06H	0007H: Derivative time	Set value
20H/50H	03H/06H	0008H: OUT1 proportional cycle	Set value
20H/50H	03H/06H	0009H: OUT2 proportional cycle	Set value
20H/50H	03H/06H	000BH: A1 value	Set value
20H/50H	03H/06H	000CH: A2 value	Set value
20H/50H	03H/06H	000FH: HB(Heater burnout alarm) value	Set value
20H/50H	03H/06H	0010H: LA (Loop break alarm) time	Set value
20H/50H	03H/06H	0011H: LA (Loop break alarm) span	Set value
20H/50H	03H/06H	0012H: Set value lock	0000H: Unlock 0001H: Lock 1 0002H: Lock 2 0003H: Lock 3
20H/50H	03H/06H	0013H: SV high limit	Set value
20H/50H	03H/06H	0014H: SV low limit	Set value
20H/50H	03H/06H	0015H: Sensor correction value	Set value
20H/50H	03H/06H	0016H: Overlap/Dead band	Set value
20H/50H	03H/06H	0018H: Scaling high limit	Set value
20H/50H	03H/06H	0019H: Scaling low limit	Set value
20H/50H	03H/06H	001AH: Decimal point place	0000H: XXXX (No decimal point) 0001H: XXX.X (1 digit after the point) 0002H: XX.XX (2 digits after the point) 0003H: X.XXX (3 digits after the point)
20H/50H	03H/06H	001BH: PV filter time constant	Set value
20H/50H	03H/06H	001CH: OUT1 high limit	Set value
20H/50H	03H/06H	001DH: OUT1 low limit	Set value
20H/50H	03H/06H	001EH: OUT1 ON/OFF hysteresis	Set value
20H/50H	03H/06H	001FH: OUT2 action mode	0000H: Air cooling 0001H: Oil cooling 0002H: Water cooling
20H/50H	03H/06H	0020H: OUT2 high limit	Set value
20H/50H	03H/06H	0021H: OUT2 low limit	Set value
20H/50H	03H/06H	0022H: OUT2 ON/OFF hysteresis	Set value
20H/50H	03H/06H	0023H: A1 type 0024H: A2 type	0000H: No alarm action 0001H: High limit alarm 0002H: Low limit alarm 0003H: High/Low limits alarm 0004H: High/Low limit range alarm 0005H: Process high alarm 0006H: Process low alarm 0007H: High limit alarm with standby 0008H: Low limit alarm with standby 0009H: H/L limits alarm with standby
20H/50H	03H/06H	0025H: A1 hysteresis	Set value
20H/50H	03H/06H	0026H: A2 hysteresis	Set value
20H/50H	03H/06H	0029H: A1 action delay time	Set value
20H/50H	03H/06H	002AH: A2 action delay time	Set value
20H/50H	03H/06H	0037H: Control output OFF	0000H: ON 0001H: OFF
20H/50H	03H/06H	0038H: Auto/Manual control	0000H: Automatic control 0001H: Manual control
20H/50H	03H/06H	0039H: Manual control MV	Set value
20H/50H	03H/06H	0040H: A1 Energized/De-energized	0000H: Energized 0001H: De-energized
20H/50H	03H/06H	0041H: A2 Energized/De-energized	0000H: Energized 0001H: De-energized

Shinko command type	Modbus function code	Data item	Data
20H/50H	03H/06H	0044H: Input type	0000H: K [-200 to 1370°C] 0001H: K [-199.9 to 400.0°C] 0002H: J [-200 to 1000°C] 0003H: R [0 to 1760°C] 0004H: S [0 to 1760°C] 0005H: B [0 to 1820°C] 0006H: E [-200 to 800°C] 0007H: T [-199.9 to 400.0°C] 0008H: N [-200 to 1300°C] 0009H: PL-II [0 to 1390°C] 000AH: C (W/Re5-26) [0 to 2315°C] 000BH: Pt100 [-199.9 to 850.0°C] 000CH: JPt100 [-199.9 to 500.0°C] 000DH: Pt100 [-200 to 850°C] 000EH: JPt100 [-200 to 500°C] 000FH: K [-320 to 2500°F] 0010H: K [-199.9 to 750.0°F] 0011H: J [-320 to 1800°F] 0012H: R [0 to 3200°F] 0013H: S [0 to 3200°F] 0014H: B [0 to 3300°F] 0015H: E [-320 to 1500°F] 0016H: T [-199.9 to 750.0°F] 0017H: N [-320 to 2300°F] 0018H: PL-II [0 to 2500°F] 0019H: C (W/Re5-26) [0 to 4200°F] 001AH: Pt100 [-199.9 to 999.9°F] 001BH: JPt100 [-199.9 to 900.0°F] 001CH: Pt100 [-300 to 1500°F] 001DH: JPt100 [-300 to 900°F] 001EH: 4 to 20mA DC [-1999 to 9999] 001FH: 0 to 20mA DC [-1999 to 9999] 0020H: 0 to 1V DC [-1999 to 9999] 0021H: 0 to 5V DC [-1999 to 9999] 0022H: 1 to 5V DC [-1999 to 9999] 0023H: 0 to 10V DC [-1999 to 9999]
20H/50H	03H/06H	0045H: Direct/Reverse action	0000H: Heating (Reverse action) 0001H: Cooling (Direct action)
20H/50H	03H/06H	0047H: AT bias	Set value
20H/50H	03H/06H	0048H: ARW (anti-reset windup)	Set value
20H/50H	03H/06H	006FH: Key Lock	0000H: Key enabled 0001H: Key Lock
50H	06H	0070H: Key operation change flag clearing	0000H: No action 0001H: Clear all
20H	03H	0080H: PV reading	Current PV (process variable)
20H	03H	0081H: OUT1 MV reading	OUT1 MV
20H	03H	0082H: OUT2 MV reading	OUT2 MV
20H	03H	0085H: Status flag reading	0000 0000 0000 0000 $2^{15}$ to $2^0$ $2^0$ digit: OUT1 0: OFF 1: ON $2^1$ digit: OUT2 0: OFF 1: ON $2^2$ digit: A1 output 0: OFF 1: ON $2^3$ digit: A2 output 0: OFF 1: ON $2^4$ digit: Not used (Always 0) $2^5$ digit: Not used (Always 0) $2^6$ digit: HB (Heater burnout alarm) output 0: OFF 1: ON (For sensor burnout, 0: OFF)

Shinko command type	Modbus function code	Data item	Data
20H	03H	0085H: Status flag	2 <sup>7</sup> digit: LA (Loop break alarm) output 0: OFF 1: ON 2 <sup>8</sup> digit: Overscale 0: OFF 1: ON 2 <sup>9</sup> digit: Underscale 0: OFF 1: ON 2 <sup>10</sup> digit: Control output OFF 0: ON 1: OFF 2 <sup>11</sup> digit: AT/Auto-reset 0: OFF 1: During AT/Auto-reset 2 <sup>12</sup> digit: OUT/OFF key function 0: Control output OFF 1: Auto/Manual control 2 <sup>13</sup> digit: Not used (Always 0) 2 <sup>14</sup> digit: Auto/Manual control 0: Automatic 1: Manual 2 <sup>15</sup> digit: Change in key operation 0: No 1: Yes

● **Notes about programming monitoring software**

**How to speed up the scan time**

When monitoring multiple units of JCx-33A, set the program so that the requisite minimum pieces of data such as PV (0080H), OUT1 MV (0081H), status flag (0085H), etc. can be read, and for other data, set the program so that they can be read only when their set value has changed. This will speed up the scan time.

**How to read the set value change by the front keypad operation**

If any set value is changed by keypad operation, the JCx-33A sets the [Status flag (0085H) 2<sup>15</sup>: Change in key operation] to [Yes (1)].

There are 2 methods of reading the set value change by the front keypad as follows.

**Reading method 1**

- (1) On the software side, check that [Status flag (0085H) 2<sup>15</sup>: Change in key operation] has been set to [Yes (1)], then read all set values.
- (2) Clear the [Status flag (0085H) 2<sup>15</sup>: Change in key operation], by setting the [Key operation change flag clearing (0070H)] to [Clear all (0001H)].  
 If [Key operation change flag clearing (0070H)] is set to [Clear all (0001H)] during the setting mode of the JCx-33A, Error code 5 (35H, Shinko protocol) or Exception Code 18 (12H, Modbus protocol) will be returned as a negative acknowledgement. And [Status flag (0085H) 2<sup>15</sup>: Change in key operation] cannot be cleared. Set a program so that all set values can be read until acknowledgement is returned.
- (3) Read all set values again after acknowledgement is returned.

**Reading method 2**

- (1) On the software side, check that [Status flag (0085H) 2<sup>15</sup>: Change in key operation] has been set to [Yes (1)], then set the [Key operation change flag clearing (0070H)] to [Clear all (0001H)].
- (2) Set the program depending on the acknowledgement or negative acknowledgement as follows.

**When acknowledgement is returned:**

Consider it as settings completed, and read all set values.

**When Error code 5 (35H, Shinko protocol) or Exception code 18 (12H, Modbus protocol) is returned as a negative acknowledgement:**

Consider it as still in setting mode, and read the requisite minimum pieces of data such as PV (0080H), OUT1 MV (0081H), status flag (0085H), etc., then return to step (1).

Thus, programs which do not affect the scan time can be created using the methods described above, even if set values on the monitoring software will not be updated until settings are complete.

**How to read PID parameters after AT (auto-tuning) finishes**

The JCx-33A sets [Status flag (0085H) 2<sup>11</sup>: AT/Auto-reset] to [During AT/Auto-reset (1)] while AT is performing. After AT is finished, PID parameters are updated.

On the software side, read the parameters such as P, I, D, ARW after checking that [Status flag (0085H) 2<sup>11</sup>: AT/Auto-reset] has been set to [OFF (0)].

**Note when sending all set values simultaneously**

- When changing alarm types during A1 type selection (0023H) or A2 type selection (0024H), alarm value will revert to "0". First, send the selected alarm type, then send the alarm value.
- When changing input types during Input type selection (0044H), the set values such as SV, OUT1 proportional band, A1 value, etc. will be initialized. First, send the selected input type, then send other set values.

● **When communicating with a PLC**

To communicate with a PLC, use a Shinko PLC Interface Unit SIF-400. No programming is needed for connection.

**PLCs corresponding to the SIF-400, its manufacturer and host link units:**

PLC manufacturer	PLC model	Host link unit model
Mitsubishi Electric Corp.	MELSEC A (A, AnA) Q series, QnA series MELSEC FX2N series	AJ71UC24 A1SJ71UC24-R2/R4/PRF A1SJ71C24-R2/R4/PRF, QJ71C24
Omron Corp.	SYSMAC C200H series CS series, CJ series	LK201-V1, LK202-V1, CS1W-SCU21-V1, CJ1W-SCU21, CJ1W-SCU41
Fuji Electric Co., Ltd.	MICREX-F series	NC1L-RS2, NC1L-RS4
Yokogawa Electric Corp.	FA-M3 series	F3LC11-1F, F3LC11-1N, F3LC12-1F, F3LC11-2N
LG Industrial Systems	MASTER-K series	G7L-CUEB, G7L-CUEC

## 8. Specifications

Cable length: Max. communication distance: 1.2km  
Cable resistance: Within 50Ω (Terminator is not necessary, but if used, use 120Ω or more on one side.)

Communication line: EIA RS-485

Communication method: Half-duplex communication

Communication speed: 9600bps (2400, 4800, 9600, 19200bps) Selectable by keypad

Synchronization method: Start-stop synchronization

Code form: ASCII, binary

Error correction: Command request repeat system

Error detection: Parity, checksum (Shinko protocol), LRC (Modbus ASCII), CRC-16 (Modbus RTU)

Data format

Communication protocol	Shinko protocol	Modbus ASCII	Modbus RTU
Start bit	1	1	1
Data bit	7	7	8
Parity	Yes (Even)	Yes (Even, Odd), No parity	Yes (Even, Odd), No parity
Stop bit	1	1 or 2	1 or 2

## 9. Troubleshooting

If any malfunctions occur, refer to the following items after checking that power is being supplied to the master and the slave.

• **Problem: Communication failure**

Check if any of the following have occurred:
The connection or wiring of the communication cable is not secure.
Burnout or imperfect contact on the communication cable and the connector.
Communication speed of the slave does not match that of the master.
The data bit, parity and stop bit of the master do not correspond to those of the slave.
The instrument number (address) of the slave does not correspond to that of the command.
The instrument numbers (addresses) are duplicated in multiple slaves.
Make sure that the program is appropriate for the transmission timing.

• **Problem: Although communication is occurring, the response is 'NAK'.**

Check if any of the following have occurred:
A non-existent command code has been sent.
The setting command data exceeds the setting range of the slave.
The controller cannot be set when functions such as AT are performing.
The JCx-33A is in the front keypad operation setting mode.

For all other malfunctions, please contact our main office or dealers.

**MOD-TRONIC**

www.mod-tronic.com | sales@mod-tronic.com | 1-800-794-5883