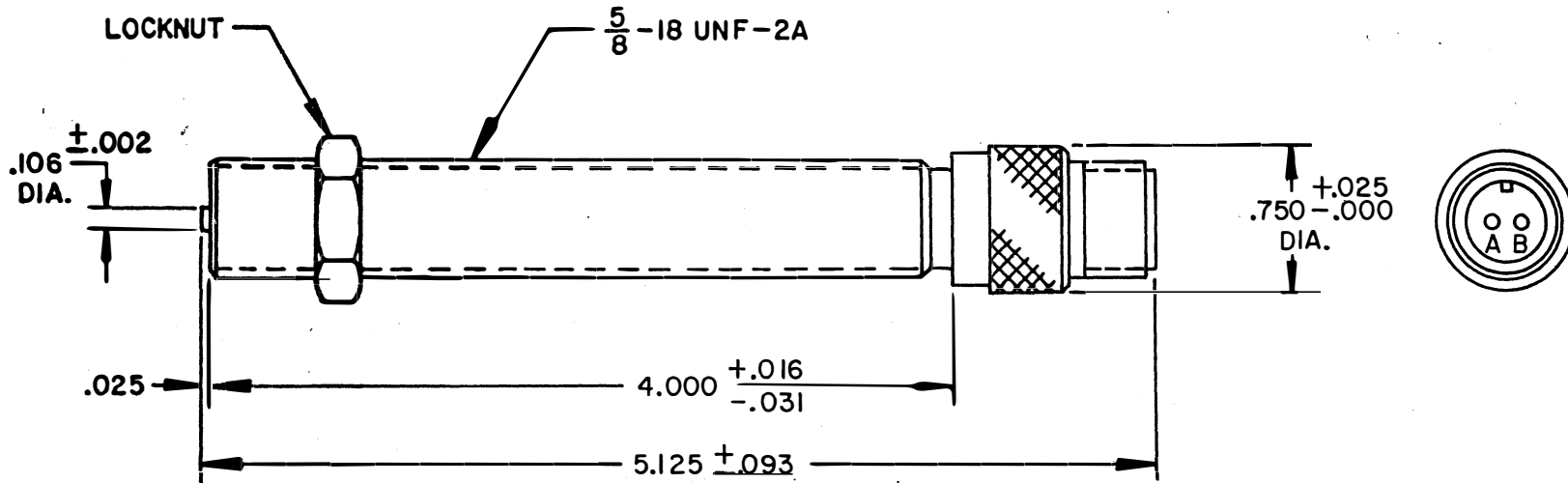


REVISIONS			
LTR	DESCRIPTION	DATE	APPD



TEMPERATURE RANGE	OUTPUT VOLTAGE PEAK TO PEAK	DC RESISTANCE OHMS	INDUCTANCE MILLIHENRYS	OUTPUT CONNECTOR	INSULATION RESISTANCE	NET WEIGHT
-65° F TO +225° F	160-240 VOLTS (SEE NOTE 1)	1000-1300 AT 75° F	360 NOM.	MATES WITH MS3106A-10SL-4S (SEE NOTE 2)	100 MEGOHMS MIN. AT 500 VDC, COIL TO HOUSING	OZ. AVG.

**NOTES:**

- TESTED AT 1000 INCHES/SECOND WITH A 20 PITCH, 30 TOOTH GEAR, 0.005" CLEARANCE AND 100,000 OHM LOAD SHUNTED BY 250 MMF.
- WITH APPROACH OF FERROUS METAL, PIN "B" IS POSITIVE WITH RESPECT TO PIN "A".

**MOD-TRONIC**

www.mod-tronic.com | sales@mod-tronic.com  
| 1-800-794-5883

**CONSTRUCTION:**

HOUSING- 303 STAINLESS STEEL  
POLE PIECE-416 STAINLESS STEEL  
POTTING-EPOXY RESIN

UNLESS OTHERWISE SPECIFIED DIMENSIONS ARE IN INCHES TOLERANCES ARE FRACT. DEC. ANGLES ±1/64 .XXX ±.008 ±1/2° .XX ±.01	<b>DYNALCO® CORPORATION</b> FORT LAUDERDALE, FLORIDA	
	DRAWN Ral ph D. APPROVED <i>L.D. [Signature]</i>	DATE 4-6-78 4/10/78
<b>MATERIAL:</b>	<b>TITLE</b> MAGNETIC PICKUP MODEL M133	
<b>FINISH:</b>	SCALE —	SIZE A
	DRAWING NUMBER 8000133	REV.

DO NOT SCALE THIS DRAWING