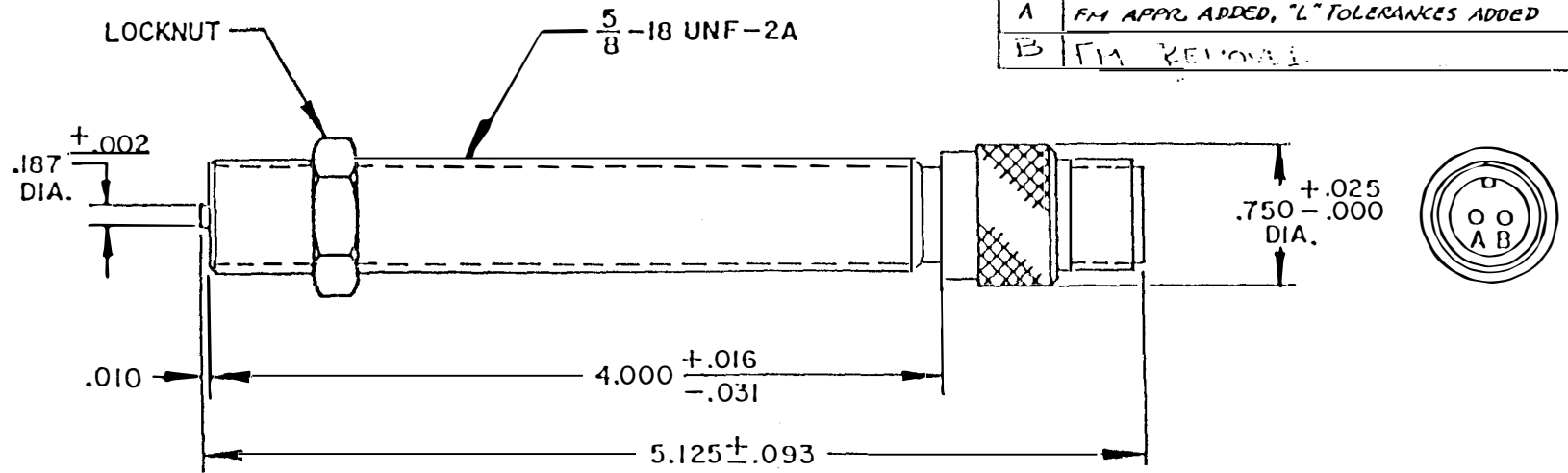


| REVISIONS | | | |
|-----------|--------------------------------------|---------|-------|
| LTR | DESCRIPTION | DATE | APPD |
| A | FM APPR. ADDED, "L" TOLERANCES ADDED | 2-5-79 | KN143 |
| B | FM REMOVAL | 12-8-91 | KN157 |



| TEMPERATURE RANGE | OUTPUT VOLTAGE PEAK TO PEAK | DC RESISTANCE OHMS | INDUCTANCE MILLIHENRYS | OUTPUT CONNECTOR | INSULATION RESISTANCE | NET WEIGHT |
|-------------------|---|---------------------|------------------------|---|--|-----------------|
| -65° F TO +225° F | 18-23 VOLTS (SEE NOTE 1) 13 V TYP. AT 100 IPS | 170-210 AT 75° F | 12-1G AT 1 KHZ. | MATES WITH MS3106A-10SL-4S (SEE NOTE 2) | 100 MEGOHMS MIN. AT 500 VDC, COIL TO HOUSING | 3.2 OZ. AVG. |

NOTES:

- TESTED AT 1000 INCHES/SECOND WITH AN 8 PITCH, 12 TOOTH GEAR, 0.005" CLEARANCE AND 100K OHM LOAD SHUNTED BY 250 MMF.
- WITH APPROACH OF FERROUS METAL, PIN "B" IS POSITIVE WITH RESPECT TO PIN "A".

LIMITED OUTPUT CURRENT AND VOLTAGE

CONSTRUCTION:

HOUSING- 303 STAINLESS STEEL
POLE PIECE- 416 STAINLESS STEEL
POTTING- EPOXY RESIN

| | | |
|--|------------------------|--------|
| UNLESS OTHERWISE SPECIFIED DIMENSIONS ARE IN INCHES TOLERANCES ARE | | |
| PRACT. | DEC. | ANGLES |
| ±1/64 | .XXX ±.008 XXX ±.01 | ±1/2° |

MATERIAL:

FINISH:

| | | | |
|--|-----------|---------------------------|-----------|
| DYNALCO® CORPORATION | | | |
| FORT LAUDERDALE, FLORIDA | | | |
| DRAWN Ralph D. | | DATE 4-6-78 | |
| APPROVED [Signature] | | 4/10/78 | |
| TITLE MAGNETIC PICKUP MODEL MI35 | | | |
| SCALE — | SIZE A | DRAWING NUMBER 8000135 | REV. B |

DO NOT SCALE THIS DRAWING