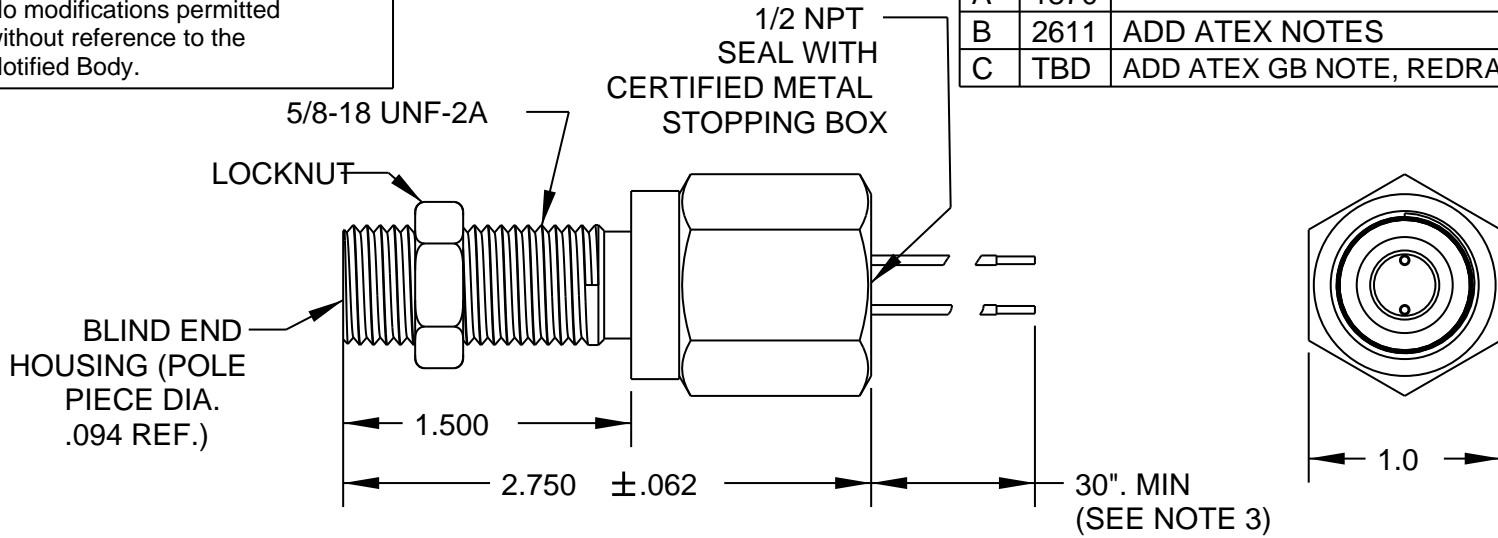


SCHEDULE DRAWING

No modifications permitted without reference to the Notified Body.

REV	ECN	DESCRIPTION	DATE	DR	CK
A	1870		1/06/95	KP	LOC
B	2611	ADD ATEX NOTES	01/18/11	PF	DW
C	TBD	ADD ATEX GB NOTE, REDRAW IN CAD	08/28/13	PF	AM



LISTED WITH UNDERWRITERS LABORATORIES, INC. CLASS I, GP.A,B,C & D. CLASS II, GP E, F & G.

SP CERTIFIED CLASS I GROUPS A,B,C,D

ATEX CERTIFIED

CE 0081
Ex II 2 G
 Ex d IIC T6 Gb
 LCIE 04 ATEX 6019X

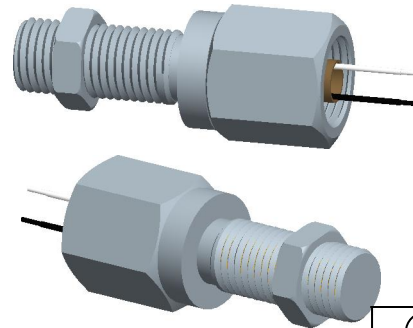
TEMPERATURE RANGE	OUTPUT VOLTAGE (SEE NOTE 1)	DC RESISTANCE AT 75 ° F	INDUCTANCE AT 1 KHZ	OUTPUT LEADS (SEE NOTE 2)	INSULATION RESISTANCE AT 500 VDC
-100 ° F to +200 ° F	23-33V P-P	170-210 OHMS	29 MH. NOM.	AWG 18 UL 1015	100 MEGOHMS MIN. COIL TO HOUSING

NOTES:

- TESTED AT 1000 INCHES/SECOND WITH AN 20 PITCH, 30 TOOTH GEAR, 0.005" CLEARANCE AND 100 KOHMS.
- WITH APPROACH OF FERROUS METAL, WHITE LEAD IS POSITIVE WITH RESPECT TO BLACK LEAD.
- LEAD LENGTH UP TO 100 FT. OPTIONAL

CONSTRUCTION:

HOUSING ----- 303 STAINLESS STEEL
 POTTING ----- EPOXY RESIN



INSTRUMENT OR INSTALLATION MUST LIMIT GENERATED VOLTAGE TO 95V RMS (270 VOLTS PEAK TO PEAK) AND MAX. CURRENT TO 0.05 AMPS.

TOLERANCES	FRACT.	DEC.	ANGLES
	±1/64	.XXX±.005	±1/2°
		.XX±.01	

MATERIAL

FINISH

	THIRD ANGLE PROJECTION	Sheet 1 of 1	
DYNALCO			
MODEL	M180	DRAWN	PF
PATH	MPROD\PICKUPS\M180	APPROVED	HM
TITLE	OUTLINE AND SPECIFICATIONS M180 U.L. LISTED MAGNETIC PICKUP		
DATE	12/03/80	A	800-0180
REV	C		

THIS DOCUMENT, ALL INFORMATION CONTAINED IN AND ALL INFORMATION RELATED TO THE PROPERTY OF DYNALCO CONTROLS, IS CONFIDENTIAL TO IT AND NO PART THEREOF NOR ANY SUBSTANTIAL INFORMATION MAY BE COPIED, DISSEMINATED OR USED IN ANY MANNER WHATSOEVER WITHOUT THE WRITTEN CONSENT OF DYNALCO AND IS TO BE RETURNED TO DYNALCO UPON REQUEST.