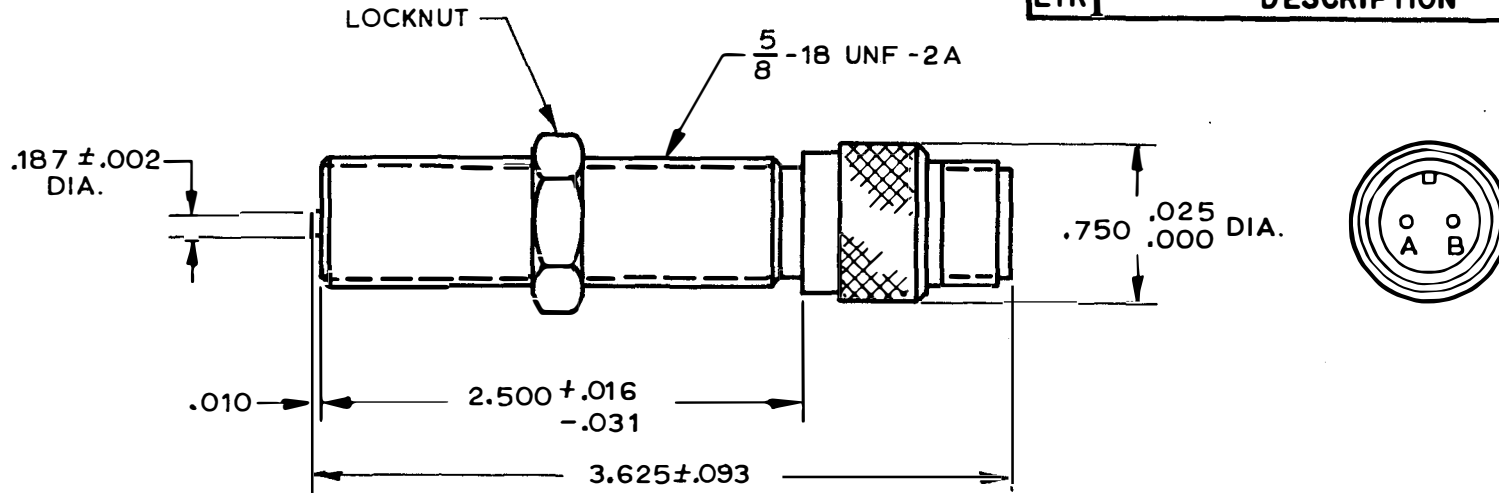


REVISIONS			
LTR	DESCRIPTION	DATE	APPD



TEMPERATURE RANGE	OUTPUT VOLTAGE PEAK TO PEAK	DC RESISTANCE OHMS	INDUCTANCE MILLIHENRIES	OUTPUT CONNECTOR	INSULATION RESISTANCE	NET WEIGHT
-65°F TO +225°F	18-23 VOLTS (SEE NOTE 1) 13V TYP. AT 100 IPS	170-210 AT 75°F.	12-16 AT 1 K Hz.	MATES WITH MS 3106A-10SL-4S (SEE NOTE 2)	100 MEGOHMS MIN. AT 500 VDC, COIL TO HOUSING	OZ. AVG.

NOTES:

- TESTED AT 1000 INCHES/SECOND WITH AN 8 PITCH, 12 TOOTH GEAR, 0.005" CLEARANCE AND 100K OHM LOAD SHUNTED BY 250 MMF.
- WITH APPROACH OF FERROUS METAL, PIN "B" IS POSITIVE WITH RESPECT TO PIN "A".

LIMITED OUTPUT CURRENT AND VOLTAGE

CONSTRUCTION:

HOUSING- 303 STAINLESS STEEL  
POLE PIECE- 416 STAINLESS STL.  
POTTING- EPOXY RESIN

UNLESS OTHERWISE SPECIFIED DIMENSIONS ARE IN INCHES TOLERANCES ARE			<b>DYNALCO® CORPORATION</b> FORT LAUDERDALE, FLORIDA		
FRACT.	DEC.	ANGLES			
±1/64	.XXX ±.005 .XX ±.01	±1/2°	<i>[Signature]</i>	6-15-81	
MATERIAL:			APPROVED	<i>[Signature]</i>	6/15/81
FINISH:			TITLE MAGNETIC PICKUP MODEL M189		
SCALE		SIZE	DRAWING NUMBER		REV.
		A	8000189		

DO NOT SCALE THIS DRAWING