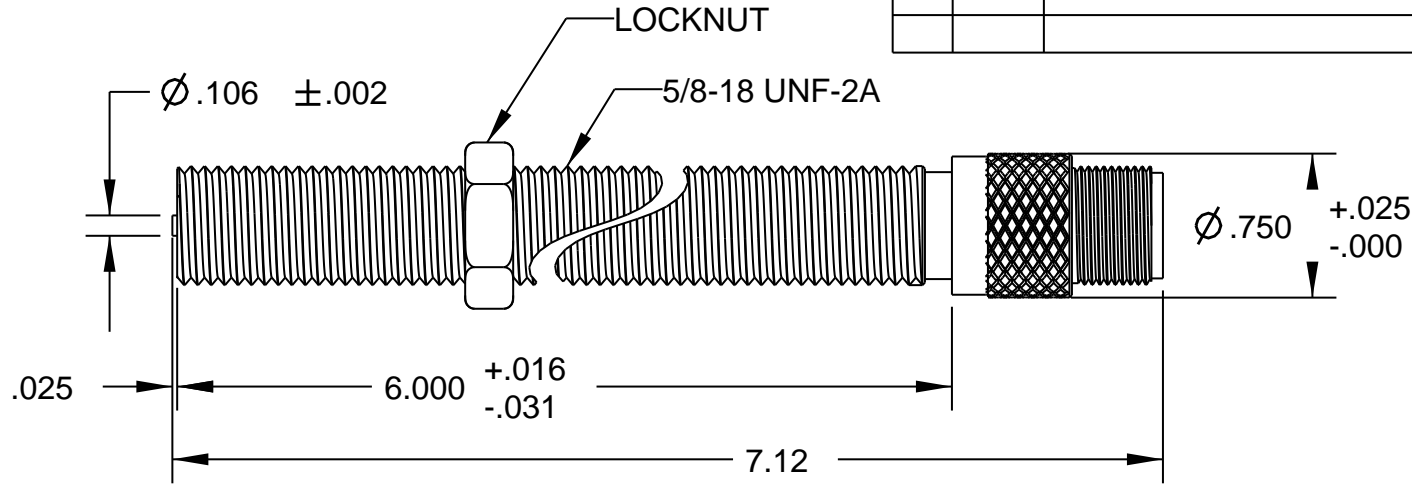


REV	ECN	DESCRIPTION	DATE	DR	CK
A					



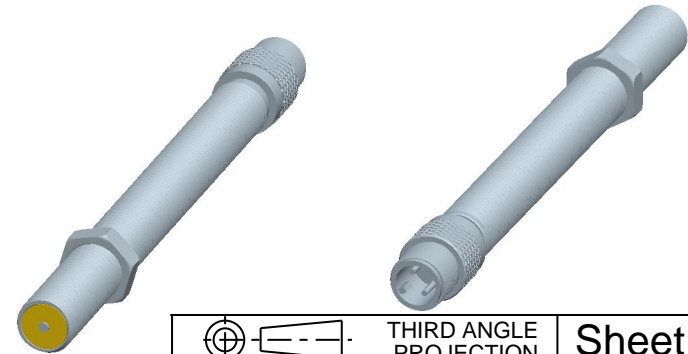
TEMPERATURE RANGE	OUTPUT VOLTAGE PEAK TO PEAK	DC RESISTANCE OHMS	INDUCTANCE MILLIHENRYS	OUTPUT CONNECTOR	INSULATION RESISTANCE	NET WEIGHT
-65 ° F to +225 ° F	160-240 VOLTS (SEE NOTE 1)	1000-1300 AT 75 ° F	360 NOM	MATES WITH MS3106A-10SL-4S (SEE NOTE 2)	100 MEGOHMS MIN. AT 500 VDC, COIL TO HOUSING	1.8 OZ. AVG.

NOTES:

- TESTED AT 1000 INCHES/SECOND WITH A 20 PITCH, 30 TOOTH GEAR, 0.005" CLEARANCE AND 100,000 OHM LOAD.
- WITH APPROACH OF FERROUS METAL, PIN "B" IS POSITIVE WITH RESPECT TO PIN "A".

CONSTRUCTION:

HOUSING ----- 303 STAINLESS STEEL
 POLE PIECE --- 416 STAINLESS STEEL
 POTTING ----- EPOXY RESIN



THIS DOCUMENT, ALL INFORMATION CONTAINED IN AND ALL INFORMATION RELATED TO THE PROPERTY OF DYNALCO CONTROLS, IS CONFIDENTIAL TO IT AND NO PART THEREOF NOR ANY SUBSTANTIAL INFORMATION MAY BE COPIED, DISSEMINATED OR USED IN ANY MANNER WHATSOEVER WITHOUT THE PRIOR WRITTEN CONSENT OF DYNALCO AND IS TO BE RETURNED TO DYNALCO UPON REQUEST.

TOLERANCES FRACT. DEC. ANGLES ±1/64 .XXX±.005 ±1/2° .XX±.01
MATERIAL
FINISH

THIRD ANGLE PROJECTION		Sheet 1 of 1	
DYNALCO			
MODEL	M202-6	DRAWN	PF
SCALE	NONE	APPROVED	LOC
TITLE MAGNETIC PICKUP, MODEL M202-6			
DATE	01/26/10	REV	A
		800-0202-6	