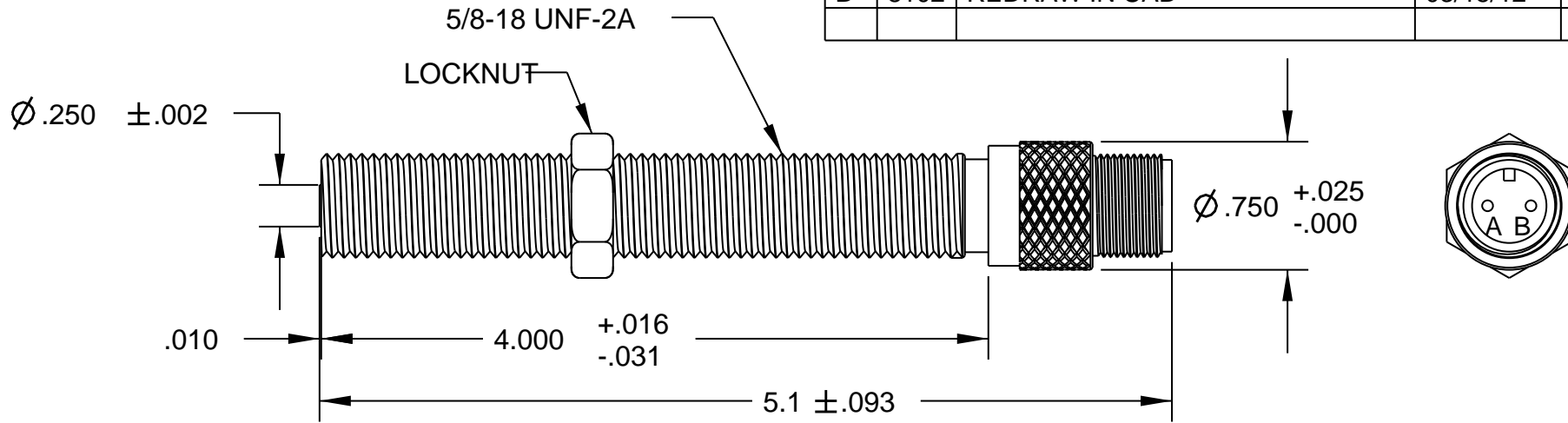


| REV | ECN  | DESCRIPTION               | DATE     | DR | CK  |
|-----|------|---------------------------|----------|----|-----|
| A   |      | INDUCTANCE TOL. ADDED, CN | 08/30/84 | KP | LOC |
| B   | 8102 | REDRAW IN CAD             | 03/15/12 | PF | MG  |



| TEMPERATURE RANGE   | OUTPUT VOLTAGE PEAK TO PEAK | DC RESISTANCE OHMS | INDUCTANCE AT 1 KHz | OUTPUT CONNECTOR                        | INSULATION RESISTANCE                        | NET WEIGHT   |
|---------------------|-----------------------------|--------------------|---------------------|---|--|--------------|
| -65 ° F to +225 ° F | 15-17 VOLTS (SEE NOTE 1)    | 115-140 AT 75 ° F  | 37 mH ±10%          | MATES WITH MS3106A-10SL-4S (SEE NOTE 2) | 100 MEGOHMS MIN. AT 500 VDC, COIL TO HOUSING | 5.2 OZ. AVG. |

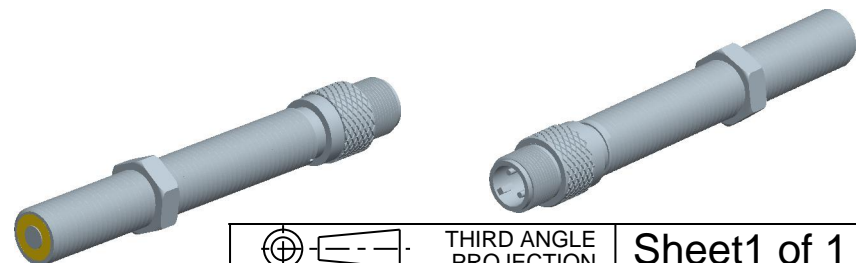
NOTES:

- TESTED AT 1000 INCHES/SECOND WITH A 8 PITCH, 12 TOOTH GEAR, 0.005" CLEARANCE AND 100,000 OHMS LOAD SHUNTED BY 250 MMF.
- WITH APPROACH OF FERROUS METAL, PIN "B" IS POSITIVE WITH RESPECT TO PIN "A".

CONSTRUCTION:

HOUSING ----- 303 STAINLESS STEEL  
 POLE PIECE - 416 STAINLESS STEEL  
 POTTING ----- EPOXY RESIN

ZENER LIMITED OUTPUT VOLTAGE AND CURRENT



| TOLERANCES      | ANGLES |
|-----------------|--------|
| FRACT. DEC.     | ±1/2°  |
| ±1/64 .XXX±.005 | XX±.01 |

MATERIAL

FINISH

|                                      |                    |              |    |
|--------------------------------------|--------------------|--------------|----|
| THIRD ANGLE PROJECTION               |                    | Sheet 1 of 1 |    |
| <b>DYNALCO</b>                       |                    |              |    |
| MODEL                                | M205               | DRAWN        | PF |
| PATH                                 | NPROD\PICKUPS\M205 | APPROVED     | MG |
| TITLE<br>MAGNETIC PICKUP, MODEL M205 |                    |              |    |
| DATE                                 | 04/21/83           | REV          | B  |
| A 800-0205                           |                    |              |    |

THIS DOCUMENT, ALL INFORMATION CONTAINED IN AND ALL INFORMATION RELATED TO THE PROPERTY OF DYNALCO CONTROLS, IS CONFIDENTIAL TO IT AND NO PART THEREOF NOR ANY SUBSTANTIAL INFORMATION MAY BE COPIED, DISSEMINATED OR USED IN ANY MANNER WHATSOEVER WITHOUT THE PRIOR WRITTEN CONSENT OF DYNALCO AND IS TO BE RETURNED TO DYNALCO UPON REQUEST.