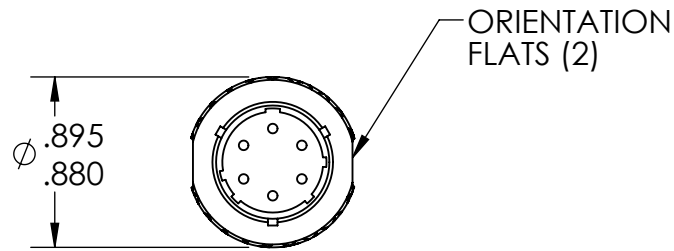
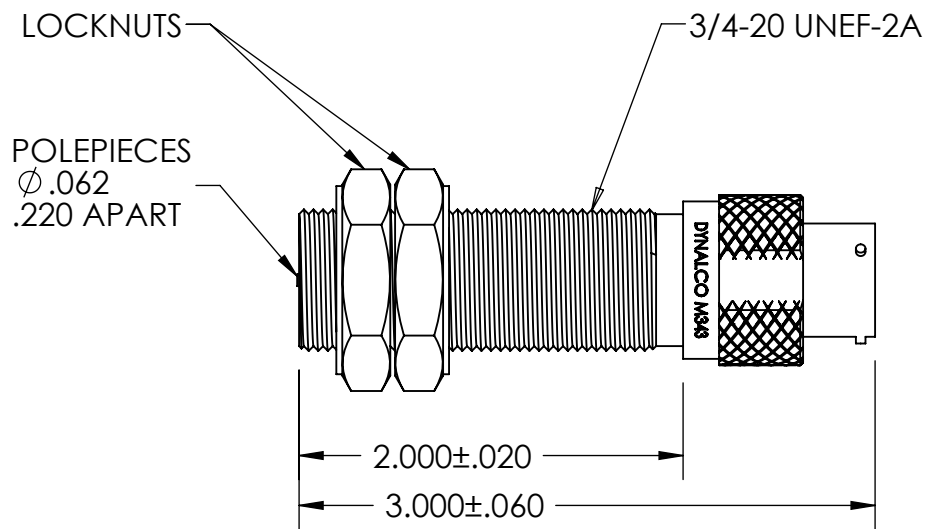
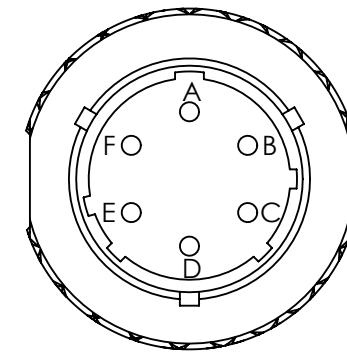


REV	ECN	REVISION RECORD	DATE	DR	CK
A		SPECS REVISED	3/22/96		LOC
B	2380		4/20/00		LOC
C	9489	REDRAWN	12/09/15	PV	JR



TARGET MOVEMENT



ELECTRICAL CONNECTIONS

- PIN A NO CONNECTION
- \* PIN B OUTPUT #1
- PIN C
- \* PIN D OUTPUT #2
- PIN E
- PIN F NO CONNECTION

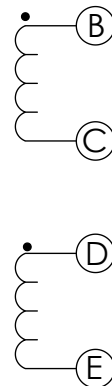
HOUSING: STAINLESS STEEL

CONNECTION: MATES WITH MS3116-10-6s  
DENOTES SAME OUTPUT POLARITY.

SPECIFICATIONS:

- OPERATING TEMPERATURE: -65°F TO +225°F
- \* OUTPUT VOLTAGE: 15 Vpp TYP. AT 1000 IN/SEC,  
0.005 IN AIR GAP AND 20 PITCH GEAR.
- COIL RESISTANCE: 135-155 OHM
- INDUCTANCE: 12.5 mH TYP.
- INSULATION RESISTANCE: 100 MEG OHM MIN @ 500 VDC,  
BETWEEN COILS AND HOUSING.
- POLARITY: WITH APPROACH OF FERROUS METAL  
PINS B & D BECOME POSITIVE WITH  
RESPECT TO PINS C & E.
- CABLE ASSEMBLY: SEE DWG A8004393
- \* NOTE: OUTPUT VOLTAGE IS DIRECTLY PROPORTIONAL  
TO SURFACE SPEED AND INVERSELY PROPORTIONAL  
TO AIR GAP.

SCHEMATIC



[www.mod-tronic.com](http://www.mod-tronic.com) | [sales@mod-tronic.com](mailto:sales@mod-tronic.com) | 1-800-794-5883

**MOD-TRONIC**

THIS DOCUMENT, ALL INFORMATION CONTAINED IN AND ALL INFORMATION RELATED TO, IS PROPERTY OF DYNALCO, IS CONFIDENTIAL TO IT AND NO PART THEREOF NOR ANY SUCH INFORMATION MAY BE COPIED, DISSEMINATED OR USED IN ANY MANNER WHATSOEVER WITHOUT THE PRIOR WRITTEN CONSENT OF DYNALCO AND IS TO BE RETURNED TO DYNALCO UPON REQUEST.

UNLESS OTHERWISE SPECIFIED		THIRD ANGLE PROJECTION	
DIMENSIONS ARE IN INCHES DIMENSIONAL TOLERANCES: FRACTIONAL ± 1/64 ANGULAR: ± 1/2° XX ± 0.010 XXX ± 0.005		<b>DYNALCO</b>	
DATE: 11/8/95	MODEL: M343	DRAWN	APPROVED LOC
MATERIAL:	TITLE: DUAL COIL MAGNETIC PICKUP M343		REV
FINISH:	SIZE <b>B</b>	DWG. NO. <b>800-0343</b>	<b>C</b>
DO NOT SCALE DRAWING	SCALE 1:1	WEIGHT	SHEET 1 OF 1