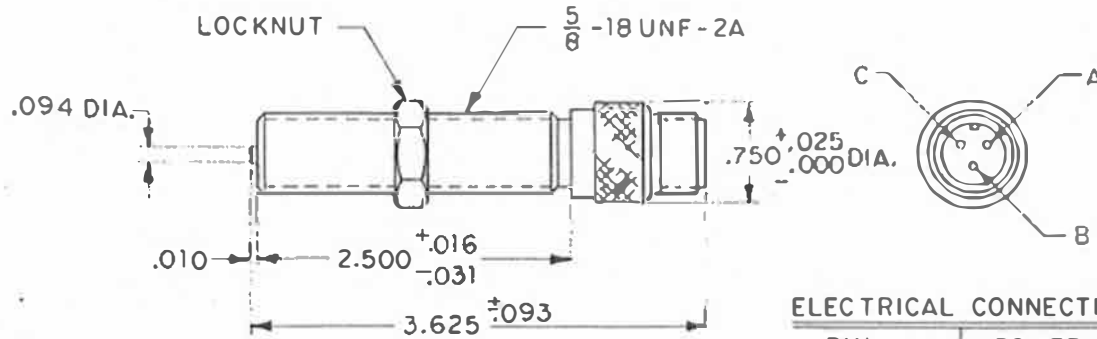


DATE	BY	REVISION RECORD	AUTH	DR.	CHK.



ELECTRICAL CONNECTIONS

PIN A	+POWER SUPPLY
PIN B	OUTPUT
PIN C	COMMON

SPECIFICATIONS

POWER SUPPLY: 5 TO 15VDC.

OPERATING TEMPERATURE: -40°F TO +250°F

OUTPUT VOLTAGE: TTL COMPATIBLE, 50 ±10% DUTY CYCLE.

LOGIC 0: +0.6V PEAK MAX. WITH 50 ma SINK CURRENT.

$$\text{LOGIC 1: } \frac{R_L \times E_s}{R_L + 2K\Omega}$$

OUTPUT IMPEDANCE: 2K OHMS

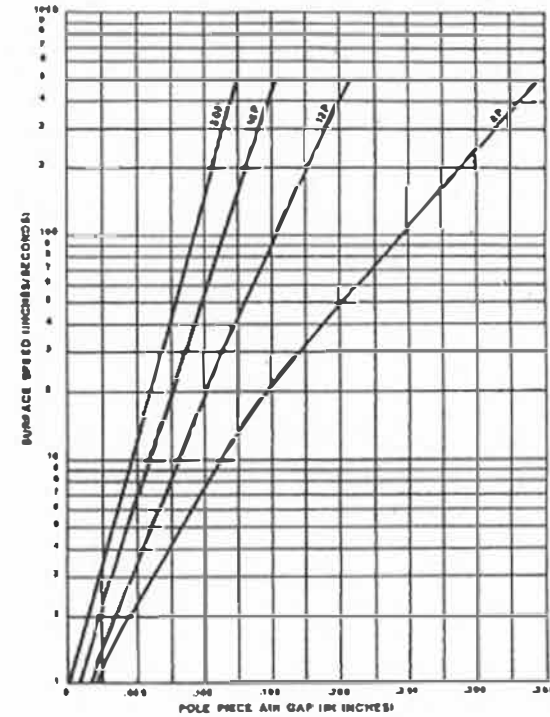
POWER SUPPLY CURRENT: 10 ma. TYPICAL WITH 10 VDC POWER SUPPLY.

HOUSING: 303 STAINLESS STEEL.

OUTPUT CONNECTOR: MATES WITH MS 3106A-10SL-3S.

INSULATION RESISTANCE: 100 MΩ. MIN. @ 50 VDC (PIN 'A' TO HOUSING).

WARNING: INCORRECT WIRING MAY CAUSE PERMANENT DAMAGE TO PICKUP.



MATERIAL:	TOLEANCES (ALL UNLESS SPECIFIED)	DYNALCO CONTROLS DIVISION	
	DECIMAL ± .005	SCALE	DRAWN BY <i>C. D. Davis</i> APPROVED BY <i>Doc 7/21/86</i>
FINISH:	FRACTIONAL ± 1/64	TITLE DIGITAL OUTPUT PICKUP M928	
	ANGULAR ± 1/2°	DATE 7-28-86	DRAWING NUMBER B 8000928
			REV.