

Mini-Max M240 Temperature Indicator



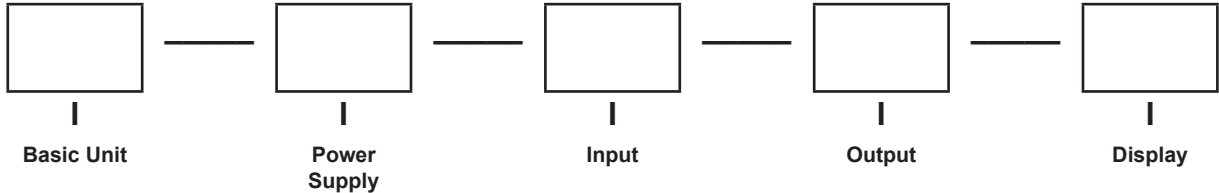
- 3/64 DIN Temperature Indicator
- Jumper – selectable display for °C / °F
- Screw terminals connector for easy installation
- Unique mounting bracket allows for stacking of multiple meters

Specifications -																						
DISPLAY																						
Type	7- segment, red LED																					
Height	0.56" (14.2mm)																					
Display resolution	0.1° from -99.9° to 999.9°; 1.0° below 100° or above 1000°; 0.1mV for mV indication																					
Overrange Indication (T/C or mV)	The left-most digit shows 1: "1" (other digits are blank)																					
Open or faulty input connection	"----"																					
Uncalibrated instrument	Display will flash continuously "INFO FAIL CALB REQD" upon application of power.																					
Polarity	Automatic, with "-" indication, "+" indication implied																					
POWER REQUIREMENTS																						
AC Voltages	85 - 250VAC @ 50-60Hz																					
Power Consumption	2 VA																					
INPUTS																						
Thermocouple	J, K																					
Millivolt	± 70mV (Uncompensated for temperature)																					
Lead Resistance Effect	-13µV / 100Ω max.																					
RTD	Platinum 100 Ohm (.00385 alpha)																					
Lead Resistance Effect	2- and 3- wire 1° / .29Ω max.																					
Temperature Coefficient	± 0.2°C / °C																					
	<table border="1"> <thead> <tr> <th>Input Type</th> <th>Temperature Range</th> <th>Accuracy @ 25°C</th> </tr> </thead> <tbody> <tr> <td rowspan="2">K T/C</td> <td>-100 to 1370°C</td> <td>± (0.1% rdg +1.5°C)</td> </tr> <tr> <td>-148 to 2498°F</td> <td>± (0.1% rdg +2.7°F)</td> </tr> <tr> <td rowspan="2">J T/C</td> <td>-100 to 1200°C</td> <td>± (0.1% rdg +1.5°C)</td> </tr> <tr> <td>-148 to 2192°F</td> <td>± (0.1% rdg +2.7°F)</td> </tr> <tr> <td rowspan="2">RTD Pt100 (4-wire)</td> <td>-100 to 850°C</td> <td>± (0.2% rdg +1.5°C)</td> </tr> <tr> <td>-148 to 1562°F</td> <td>± (0.2% rdg +2.7°F)</td> </tr> <tr> <td>mV</td> <td>-70 to 70mV</td> <td>± (0.1% rdg +0.1mV)</td> </tr> </tbody> </table>	Input Type	Temperature Range	Accuracy @ 25°C	K T/C	-100 to 1370°C	± (0.1% rdg +1.5°C)	-148 to 2498°F	± (0.1% rdg +2.7°F)	J T/C	-100 to 1200°C	± (0.1% rdg +1.5°C)	-148 to 2192°F	± (0.1% rdg +2.7°F)	RTD Pt100 (4-wire)	-100 to 850°C	± (0.2% rdg +1.5°C)	-148 to 1562°F	± (0.2% rdg +2.7°F)	mV	-70 to 70mV	± (0.1% rdg +0.1mV)
Input Type	Temperature Range	Accuracy @ 25°C																				
K T/C	-100 to 1370°C	± (0.1% rdg +1.5°C)																				
	-148 to 2498°F	± (0.1% rdg +2.7°F)																				
J T/C	-100 to 1200°C	± (0.1% rdg +1.5°C)																				
	-148 to 2192°F	± (0.1% rdg +2.7°F)																				
RTD Pt100 (4-wire)	-100 to 850°C	± (0.2% rdg +1.5°C)																				
	-148 to 1562°F	± (0.2% rdg +2.7°F)																				
mV	-70 to 70mV	± (0.1% rdg +0.1mV)																				
Input Impedance	22MΩ																					
ENVIRONMENTAL																						
Operating Temperature	0 to 55°C																					
Storage Temperature	-10 to 60°C																					
Relative Humidity	0 to 85% non-condensing																					
Warmup time	Less than 20 minutes																					
A/D Conversion Techniques	12 Bit Successive Approximation (SAR)																					
Rate	10 samples per second																					
NOISE REJECTION																						
NMRR	60dB, 50/60Hz																					
CMRR	(w / 1kΩ unbalanced @ 60Hz) 90dB min																					
MECHANICAL																						
Bezel	0.94" x 2.83"																					
Depth	2.36"																					
Panel cutout	0.89" x 2.71"																					
Weight	3.5 oz. (99.2 g)																					
Case Material	94-0, UL-rated, glass-filled thermoplastic																					

Mini-Max M240 Temperature Indicator

Ordering Information -

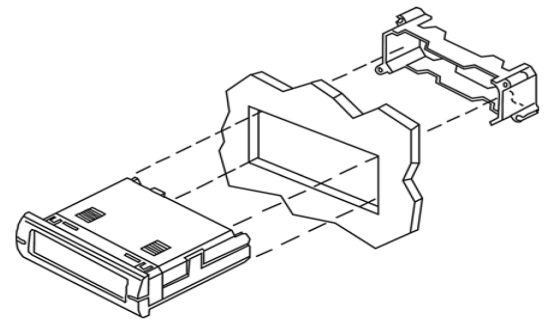
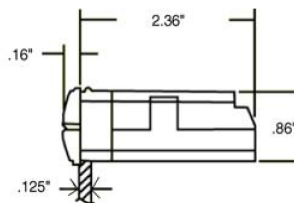
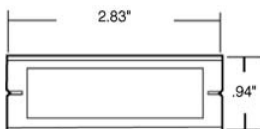
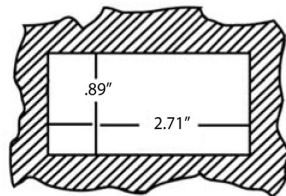
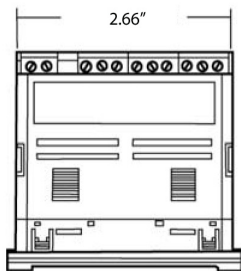
Mini-Max indicators can be configured by making an entry in each section below.
Example: M240-0-91-0-F.



Select From Each One Below					
Basic Unit		Input		Output	
M240	4 Digit LED	91	J T/C	0	None
		92	K T/C		
		93	RTD Pt100 Ohm		
Power Supply		94	DC mV		
0	85-250 VAC				
				Display	
				C	°C
				F	°F
				0	mV (only available with DC mV Input)



Dimensions and Panel Cutout - M235, M245 & M240



Mounting Instructions

Insert the Mini-Max through the panel, and then slide the mounting bracket on to the Mini-Max.

The mounting bracket allows Mini-Max units to be stacked side-to-side or top-to-bottom.

Panel cutout instructions for stacking multiple units are provided in the operator's manual.