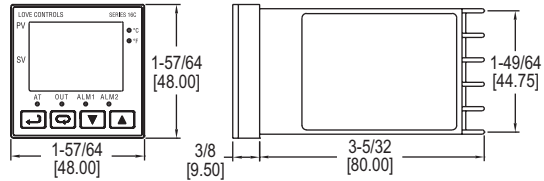


TEMPERATURE LOOP CONTROLLERS

Universal Temperature Input, Single Control Output, RS-485 Communication



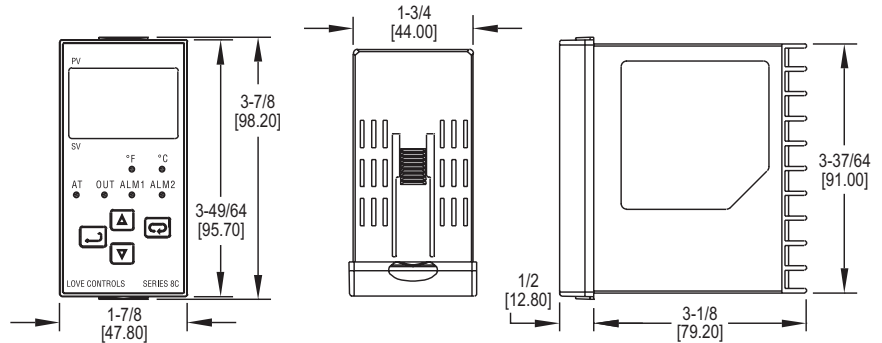
16C



16C



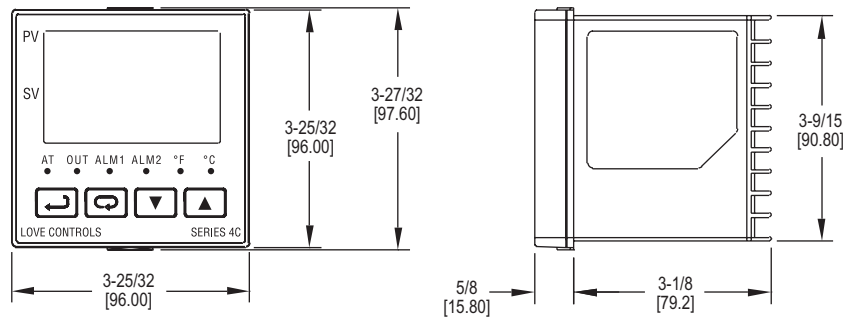
8C



8C



4C



4C

The Series 16C, 8C, & 4C Temperature Loop Controllers offer advanced control features for the most demanding temperature or process applications. Offered in 3 standard DIN cutout housing sizes, these controllers are designed with dual, 4 digit LED displays for local indication of the process value, setpoint, and output conditions.

FEATURES/BENEFITS

- Universal input accepts RTD or thermocouple sensors
- On/Off, PID, or manual output control
- RS-485 standard on all models

APPLICATIONS

- Oven, boiler, or chiller control
- Hot plates/melt pots
- Food service equipment
- Environmental chambers
- Packaging equipment

| MODEL CHART | |
|-------------|---------------|
| Model | Output |
| 16C-2 | Voltage pulse |
| 16C-3 | Relay |
| 16C-5 | Current |

| MODEL CHART | |
|-------------|---------------|
| Model | Output |
| 8C-2 | Voltage pulse |
| 8C-3 | Relay |
| 8C-5 | Current |

| MODEL CHART | |
|-------------|---------------|
| Model | Output |
| 4C-2 | Voltage pulse |
| 4C-3 | Relay |
| 4C-5 | Current |

| ACCESSORIES | |
|-------------|------------------------------------|
| Model | Description |
| MN-1 | Mini-Node™ RS-485 to USB converter |
| SCD-SW | Configuration software |
| A-600 | R/C snubber |

① Items are net priced and are not subject to any discount.

SPECIFICATIONS

Inputs: Thermocouple or RTD.
Display: Two 4 digit, 7 segment LED's. PV: Red, SV: Green.
Accuracy: ±0.25% of span, ±1 least significant digit.
Power Requirements: 100 to 240 VAC, 50/60 Hz.
Power Consumption: 5 VA max.
Operating Temperature: 32 to 122°F (0 to 50°C).
Memory Backup: Nonvolatile memory.
Control Output Ratings: Relay: SPST, 5 A @ 250 VAC resistive for 16C; SPDT, 5 A @ 250 VAC resistive for 8C and 4C; Voltage Pulse: 14 VDC (max. 40 mA); Current: 4 to 20 mA.
Communication: RS-485 Modbus® ASCII communication protocol.
Weight: 4 oz (114g) for 16C, 15 oz (425g) for 8C and 4C.
Front Panel Rating: IP56.
Agency Approvals: CE, cULus.

| INPUT RANGES | |
|--------------|---------------------------------|
| Input Types | Range |
| K Type TC | -328 to 2372°F (-200 to 1300°C) |
| K Type TC | -328 to 932°F (-200 to 500°C) |
| J Type TC | -148 to 2192°F (-100 to 1200°C) |
| J Type TC | -4 to 752°F (-20 to 400°C) |
| T Type TC | -328 to 752°F (-200 to 400°C) |
| T Type TC | 4 to 752°F (-20 to 400°C) |
| E Type TC | 32 to 1112°F (0 to 600°C) |
| N Type TC | -328 to 2372°F (-200 to 1300°C) |
| R Type TC | 32 to 3092°F (0 to 1700°C) |
| S Type TC | 32 to 3092°F (0 to 1700°C) |
| B Type TC | 212 to 3272°F (100 to 1800°C) |
| L Type TC | -328 to 932°F (-200 to 500°C) |
| U Type TC | -328 to 1472°F (-200 to 800°C) |
| Pt 100 RTD | -328 to 1112°F (-200 to 600°C) |
| Pt 100 RTD | -4 to 932°F (-20 to 500°C) |
| Pt 100 RTD | 32 to 212°F (0 to 100°C) |

Modbus® is a registered trademark of Schneider Automation, Inc.