



## SERIES AT22000 | ATEX/IECEX APPROVED 2000 MAGNEHELIC® DIFFERENTIAL PRESSURE GAGE



### FEATURES/BENEFITS

- ATEX/IECEX housing provides all the capabilities and value of the Magnehelic® in a flameproof enclosure
- Quick response to pressure changes means no delay in critical situations
- Durable and rugged housing and high-quality components provide long service life and minimized down time
- High impact strength and high temperature rating for applications where hazardous environments exist

### APPLICATIONS

- Fan and blower pressures
- Filter resistance
- Air velocity
- Furnace draft
- Liquid levels with bubbler systems
- Pressure in fluid amplifier or fluidic systems

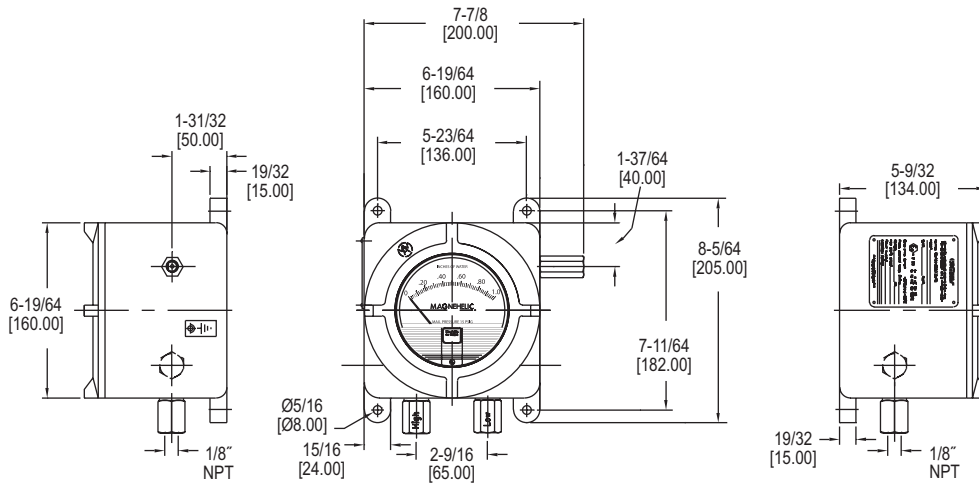
### DESCRIPTION

The popular **Series AT22000 ATEX/IECEX Approved 2000 Magnehelic® Differential Pressure Gage** is now available in a flame-proof enclosure with the new AT22000 Series. This gage can indicate positive, negative or differential pressures and is accurate within 2%.

### SPECIFICATIONS

<b>Service</b>	Air and non-combustible, compatible gases.
<b>Wetted Materials</b>	Consult factory.
<b>Magnehelic® Housing</b>	Die cast aluminum case & bezel with acrylic cover; Exterior finish is coated gray to withstand 168 hour salt spray corrosion test.
<b>Accuracy</b>	±2% of FS (±3% on -0, -100PA, -125PA, -10MM and ±4% on -00, -60PA, -6MM ranges), throughout range at 70°F (21.1°C).
<b>Pressure Limits</b>	-20 in Hg to 15 psig (-0.677 bar to 1.034 bar); MP option; 35 psig (2.41 bar), HP option; 80 psig (5.52 bar).
<b>Overpressure</b>	Relief plug opens at approximately 25 psig (1.72 bar), standard gages only. See overpressure protection note on Magnehelic® gage catalog page.
<b>Temperature Limits</b>	20 to 140°F (-6.67 to 60°C); Low temperature option: -20°F (-28.8°C) ( <b>Note:</b> Product temperature limits are less than case limits).
<b>Mounting Orientation</b>	Diaphragm in vertical position.
<b>Enclosure Rating</b>	IP66. IP65 with option OPV, overpressure relief valve.
<b>Housing Material</b>	Aluminum.
<b>Finishing</b>	Texture epoxy coat RAL7038.
<b>Pressure Connections</b>	1/8" NPT female brass (SS optional). In presence of acetylene it is necessary to use SS.
<b>Weight</b>	8.6 lb (3.9 kg).
<b>ATEX Certificate</b>	BVI 14ATEX0072.
<b>Agency Approvals</b>	ATEX Compliant <b>CE</b> 1370 <b>Ex</b> II 2G Ex d IIC T6 Gb / II 2D Ex tb IIIC T85°C Db, -60°C ≤ Tamb ≤ +60°C IECEx Compliant: Ex d IIC T6 Gb / Ex tb IIIC T85°C Db.

## DIMENSIONS



## HOW TO ORDER

Use the **bold** characters from the chart below to construct a product code.

