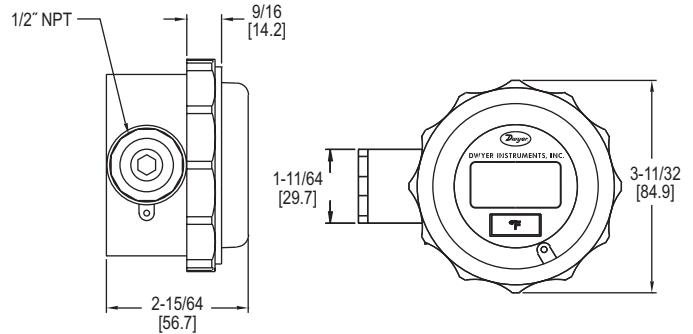


# BATTERY POWERED TEMPERATURE INDICATOR

RTD or T/C Input, 4-Digit Display, Selectable °F or °C



Panel Meters/  
Indicators

The **Series BPI Battery Powered Temperature Indicator** accepts RTD or thermocouple input and provides local or remote display of temperature measurements. The indicator is housed in a NEMA 4X (IP66) enclosure for additional protection from the environment. Users can quickly modify the instrument configuration via three push buttons on the front of the unit.

**FEATURES/BENEFITS**

- Programmable input type, engineering units (°F/°C), offset temperature, decimal point position, and password protection
- Four-digit segmented display

**APPLICATIONS**

- Provides local temperature indication in areas without power availability

MODEL CHART	
Model	Input
BPI-101	3-wire Pt100 or Ni120
BPI-102	K, J, T, N, R, S, E, or F thermocouples

SPECIFICATIONS	
<b>Inputs:</b> Thermocouple or RTD depending on model.	<b>Resolution:</b> 0.1°C.
<b>Accuracy:</b> Thermocouple input: ±0.1% FS, ±0.5°C (plus sensor); RTD: ±0.2°C ±0.1% of reading (plus sensor error).	<b>Ambient Operating Temperature:</b> 14 to 158°F (-10 to 70°C).
<b>Power Requirements:</b> 3.6 V AA lithium metal battery, included, user replaceable.	<b>Storage Temperature:</b> -4 to 185°F (-20 to 85°C).
<b>Battery Life:</b> > 2 years.	<b>Weight:</b> 6.0 oz (170 g).
<b>Display:</b> 0.3" (7.6 mm) 4-digit LCD.	<b>Front Panel Protection:</b> NEMA 4X (IP66).
	<b>Agency Approvals:</b> CE.

MEASURING RANGES	
Sensor	Range °F (°C)
K	-328 to 2498 (-200 to 1370)
J	-148 to 2192 (-100 to 1200)
T	-346 to 752 (-210 to 400)
N	-292 to 2372 (-180 to 1300)
R	14 to 3200 (-10 to 1760)
S	14 to 3200 (-10 to 1760)
E	-328 to 1832 (-200 to 1000)
F	-148 to 1112 (-100 to 600)
Pt100Ω	-148 to 1472 (-100 to 800)
Ni120	-148 to 1472 (-100 to 800)