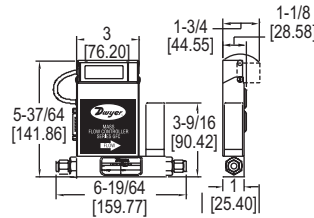
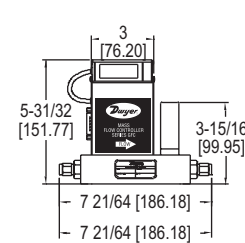


GAS MASS FLOW CONTROLLERS

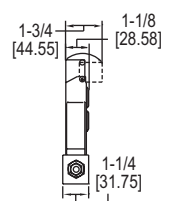
Flow Range Up to 1000 L/min, Pressures Up to 500 psi, NIST Traceable



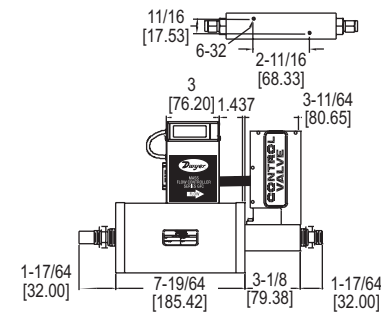
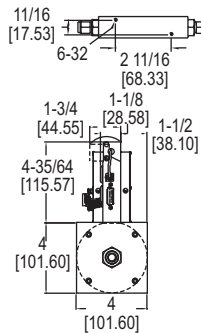
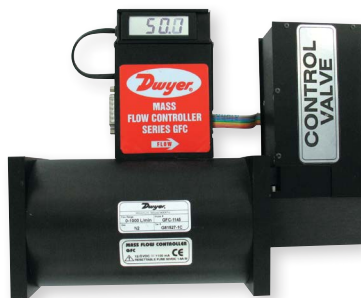
**Model GFC-1101 Thru GFC-1111
& GFC-2101 Thru GFC-2111**



**Model GFC-1130 Thru GFC-1133
& GFC-2130 Thru GFC-2133**



**Model GFC-1140 Thru
GFC-1142 & GFC-2140
Thru GFC-2142**



**Model GFC-1143 Thru GFC-1145
& GFC-2143 Thru GFC-2145**

The Series GFC Gas Mass Flow Controllers combine a straight tube sensor with a restrictor flow element. It is available for flow ranges up to 1000 L/min and offered in aluminum or 316 SS in 1/4", 3/8", 1/2" and 3/4" sizes.

FEATURES/BENEFITS

- Provides high accuracy and repeatability
- Flow rates are virtually unaffected by temperature and pressure variations
- Utilizes an electromagnetic valve and PID electronics to maintain continuous control by comparing measured sensor signal set to flow rates
- Set points can be adjusted with local potentiometers or remotely via 0 to 5 VDC or 4 to 20 mA analog signal
- Actual gas flow is displayed in engineering units on a 3-1/2 digit, 90° tiltable LCD readout
- Can be used with Series GFT2 Flow Totalizer for applications requiring totalization
- NIST traceable certificate included

APPLICATIONS

- Gas flow measurement
- Gas flow control
- Operating pumps and valves
- Process equipment
- Vacuum processes
- Glass and metal coating
- Film deposition

MODEL CHART

| Aluminum Model | SS Model | Flow Range | Process Connector Compression Fitting |
|----------------|-----------|-----------------|---------------------------------------|
| GFC-1101* | GFC-2101* | 0 to 10 mL/m | 1/4" |
| GFC-1102* | GFC-2102* | 0 to 20 mL/m | 1/4" |
| GFC-1103* | GFC-2103* | 0 to 50 mL/m | 1/4" |
| GFC-1104* | GFC-2104* | 0 to 100 mL/m | 1/4" |
| GFC-1105* | GFC-2105* | 0 to 200 mL/m | 1/4" |
| GFC-1106* | GFC-2106* | 0 to 500 mL/m | 1/4" |
| GFC-1107* | GFC-2107* | 0 to 1000 mL/m | 1/4" |
| GFC-1108* | GFC-2108* | 0 to 2 L/min | 1/4" |
| GFC-1109* | GFC-2109* | 0 to 5 L/min | 1/4" |
| GFC-1111* | GFC-2111* | 0 to 15 L/min | 1/4" |
| GFC-1131* | GFC-2131* | 0 to 30 L/min | 1/4" |
| GFC-1133* | GFC-2133* | 0 to 50 L/min | 1/4" |
| GFC-1142* | GFC-2142* | 0 to 100 L/min | 3/8" |
| GFC-1143* | GFC-2143* | 0 to 200 L/min | 3/8" |
| GFC-1144* | GFC-2144* | 0 to 500 L/min | 1/2" |
| GFC-1145* | GFC-2145* | 0 to 1000 L/min | 3/4" |

*Specified flow ranges are for an equivalent flow of nitrogen at 70°F (21°C) @ 760 mm Hg

SPECIFICATIONS

Service: Clean gases compatible with wetted parts.
Wetted Materials: GFC-1XXX: Anodized aluminum, brass, 316 SS and fluoroelastomer O-rings; GFC-2XXX: 316 SS and fluoroelastomer O-rings.
Accuracy: ±1% FS including linearity over 59 to 77°F (5 to 25°C) and 5 to 60 psia (0.34 to 4 bar); Series GFC X143, X144, X145, ±1.5% FS.
Repeatability: ±0.25% FS.
Response Time: 2 s to within ±2% of actual flow.
Output: Linear 0 to 5 VDC and 4 to 20 mA.
Max. Particulate Size: 5 microns.
Temperature Limits: 32 to 122°F (0 to 50°C).
Power Supply: ±12 VDC.
Process Connections: 1/4" compression fitting for flow rates ≤50 L/m; 3/8" for 100 and 200 L/m; 1/2" for 500 L/min; 3/4" for 1000 L/min.
Pressure Limits: 1000 psig (68.9 bar); Series GFC-X143, X144, X145, 500 psig (34.5 bar).
Leak Integrity: 1 x 10⁻⁹ sccs of He.
Display: 90° tiltable, 3-1/2 digit.
Agency Approvals: CE.

ACCESSORIES

| Model | Description |
|-----------|------------------------------------|
| GFC-110P | 110 V power supply |
| GFC-220PE | 220 V power supply |
| GFC-CBL1 | 8' cable with 15-pin connector |
| GFC-CBL3 | 3' extension cable for LCD readout |

USA: California Proposition 65

⚠WARNING: Cancer and Reproductive Harm - www.P65Warnings.ca.gov