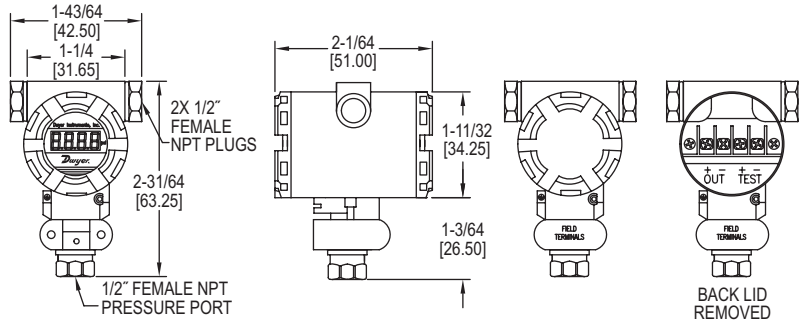


**SERIES IWP**

# INDUSTRIAL WEATHERPROOF PRESSURE TRANSMITTER

Exceptional Reliability for Harsh Environments



The **Series IWP Industrial Weatherproof Pressure Transmitter** provides an exceptional value solution to pressure measurement in industrial conditions requiring high-performance, stability and long service life. The precise operation under dirty and wet conditions, make the Series IWP an ideal choice for petroleum, chemical and metallurgical industry applications.

**FEATURES/BENEFITS**

- Rugged, weather-proof design supports use in harsh environments

**APPLICATIONS**

- Harsh environments
- Process
- Chemical
- Petroleum
- Metallurgical

OPTIONS	
Use order code:	Description
NISTCAL-PT1	NIST traceable calibration certificate

SPECIFICATIONS	
<b>Service:</b> Gases and liquids compatible with wetted materials.	<b>Pressure Limits:</b> 1.5 x pressure range.
<b>Wetted Materials:</b> 304 and 316 stainless steel.	<b>Temperature Coefficient:</b> 0.3% FS per 10°C.
<b>Accuracy:</b> 0.5% FS.	<b>Power Requirements:</b> 12 to 36 VDC.
<b>Stability:</b> <0.2% FS per year.	<b>Output Signal:</b> 4 to 20mA.
<b>Temperature Limits:</b> -22 to 203°F (-30 to 95°C).	<b>Loop Resistance:</b> 1200 Ω max.
<b>Compensated Temperature Limits:</b> 32 to 158°F (0 to 70°C).	<b>Electrical Conduit Connection:</b> 1/2" female NPT.
	<b>Process Connection:</b> 1/2" female NPT.
	<b>Enclosure Rating:</b> IP65.

MODEL CHART			
Model	Pressure Range	Model	Pressure Range
IWP-00	0 to 30 psig	IWP-04	0 to 300 psig
IWP-01	0 to 50 psig	IWP-05	0 to 500 psig
IWP-02	0 to 100 psig	IWP-06	0 to 1000 psig
IWP-03	0 to 200 psig	IWP-10	0 to 30 psia