



Series  
LCI308  
&  
LCI408

# Panel Meter Indicators

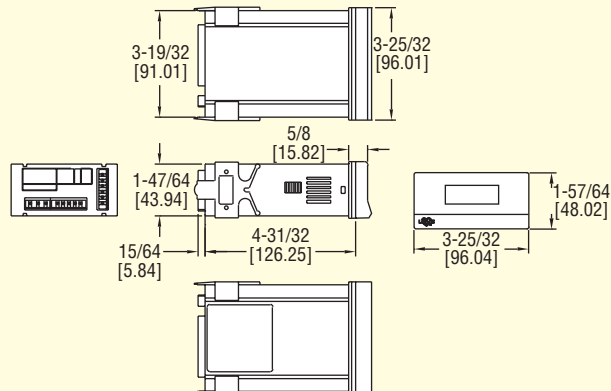
## 1/8 DIN, High Accuracy, Peak & Valley Display



LCI308



LCI408



The Series LCI308 and LCI408 panel meter indicators offer flexibility and value in a standard 1/8 DIN package. This family of indicators offers input availability for virtually all types of process measurement.

The LCI308 offers a 4-3/4 digit display scalable to  $\pm 32,000$  counts. This flexible indicator is available for Process Inputs (0 to 10VDC, 4 to 20 mA, etc. and potentiometer inputs).

The LCI408 has a universal input that accepts the Process, Temperature, and Load Cell inputs of the LCI308, plus a Potentiometer input. The full 5-digit display can be scaled between  $\pm 99999$  counts. The dual display allows simultaneous display of the measured value plus other values such as peak or valley.

Options include relay and transistor set point outputs, BCD Parallel output, RS-232/RS-485 computer communications, and 4 to 20 mA analog retransmission.

### SPECIFICATIONS

**Inputs:** Process, temperature (T/C & RTD), frequency/counter, load cell (dependent on model number).

#### Input Impedance:

Process: Voltage, 1 M $\Omega$ ; current, 12.1 $\Omega$ ;

Load cell: 100 M $\Omega$  for 300 mV, 1 MW for 30 mV.

**Display:** 5 digit, 7 segment, 14 mm red with a fixed decimal point. 14 LEDs (programming & control).

**Accuracy:**  $\pm 0.1\%$  of reading (+2 count). Thermocouples:  $\pm 0.4\%$  of reading for types J, K, T, & E;  $\pm 0.05\%$  of reading for types R & S. RTD:  $\pm 0.2\%$  of reading.

**Power Requirements:** 115/230 VAC 50/60 Hz  $\pm 10\%$ .

**Power Consumption:** 3 W max.

**Weight:** 8 oz (250 g).

**Front Panel Rating:** NEMA 4X (IP66).

**Agency Approvals:** CE.

Part Number	Description
LCI308-00	1/8 DIN Indicator, $\pm 10$ VDC, $\pm 20$ mADC, Potentiometer
LCI408-00	1/8 DIN Indicator, Universal Input

Consult Factory for add-in option cards.

### Input Ranges

Input Type	Range °F	Range °C
Type J Thermocouple	-58.0 to +1472.0	-50.0 to +800.0
Type K Thermocouple	58.0 to +2282.0	-50.0 to +1250.0
Type T Thermocouple	-328.0 to +752.0	-200.0 to +400.0
Type R Thermocouple	+32.0 to +3182.0	0.0 to 1750.0
-Type S Thermocouple	-58.0 to +3182.0	-50.0 to +1750.0
Type E Thermocouple	-58.0 to +1832.0	-50 to +1000.0
100 Ohm Pt. 0.00385 DIN RTD	-328 to 1472.0	-200.0 to +800.0
100 Ohm Pt. 0.00392 NIST RTD	-328 to 1607	-200 to +875
Process (Includes excitation power supply)		
$\pm 10$ V	Scalable Units from -32000 to + 32000 (LCI308); -99999 to +99999 (LCI408)	
$\pm 20$ mV	Scalable Units from -1999 to +19999	
Digital - Frequency/Counter (Includes excitation power supply)		
0.1 to 25,000 Hz		
Potentiometer	Resolution to 0.001% (LCI408)	
Load Cell (includes excitation power supply)	$\pm 30$ mVDC	

### ACCESSORIES

**LCIA-01,** Dual Relay Card. Two SPDT relays, 8A @ 240 VAC

**LCIA-02,** Quad Relay Card. Four SPST relays, 0.2A @ 240 VAC

**LCIA-03,** Quad Transistor Output Card. Four NPN optically coupled transistors, 50 mA @ 50 VDC max.

**LCIA-04,** Quad Transistor Output Card. Four PNP optically coupled transistors, 50 mA @ 50 VDC max.

**LCIA-05,** Analog Retransmission, 4 to 20 mADC or 0 to 10 VDC, selectable.

**LCIA-07,** BCD Output Card.

**LCIA-08,** RS-232 Serial Communication (Modbus® Protocol)

**LCIA-09,** RS-485 Serial Communication (Modbus® Protocol)

**MN-1,** Mini-Node™ USB/RS-485 converter

[www.mod-tronic.com](http://www.mod-tronic.com) | [sales@mod-tronic.com](mailto:sales@mod-tronic.com) | 1-800-794-5883